



**ROTAREX**  
FIRETEC



 **FIREDETEC**  
COMPACT FIRE SUPPRESSION SYSTEMS

**OBJECT FIRE SUPPRESSION SYSTEMS**

OCTOBER 2017



# TABLE OF CONTENTS

<b>PRODUCT RANGE OVERVIEW</b> .....	P. 006	<b>OPTIONAL EQUIPMENT</b> .....	P. 050
<b>TECHNOLOGY OVERVIEW</b> .....	P. 010	- Pressure switches.....	P. 050
- Sensor tube technology.....	P. 010	- Alarms.....	P. 050
- Direct vs. indirect.....	P. 012	- Dashboard control box.....	P. 050
- DIMES.....	P. 013	- Cylinder mounting brackets.....	P. 051
- Extinguishing agents.....	P. 014	- Check valve.....	P. 052
- Directional valve technology.....	P. 015	- Pressure gauges.....	P. 052
<b>PRE-ENGINEERED SYSTEMS</b> .....	P. 016	- Extinguishing agent refills.....	P. 053
- Electrical cabinet systems.....	P. 016	- Solenoid ILP valve.....	P. 053
· Indirect Systems.....	P. 016	- Two zone DLP valve.....	P. 053
· Direct Systems.....	P. 020	- Cylinder labels.....	P. 054
- CNC machinery systems.....	P. 022	- Warning labels.....	P. 055
- Fume cabinet systems.....	P. 024	<b>INSTALLATION AND MAINTENANCE TOOLS</b> .....	P. 056
- Commercial kitchen systems.....	P. 026	- Tube cutter.....	P. 056
- Vehicle engine systems.....	P. 028	- Sensor tube gripping tool.....	P. 056
<b>SPECIAL APPLICATIONS</b> .....	P. 030	- Sensor tube filling adaptor.....	P. 056
- Smoke detection systems.....	P. 030	- Sensor tube filling Kit.....	P. 056
- Powder systems.....	P. 032	- Sensor tube filling/demo kit.....	P. 056
<b>CYLINDER/VALVE ASSEMBLIES</b> .....	P. 034	<b>SPARE PARTS</b> .....	P. 057
- CO <sub>2</sub> system cylinder/valve assemblies.....	P. 034	- End of line spare parts.....	P. 057
- CO <sub>2</sub> system cylinder/valve assemblies solenoid actuation.....	P. 035	- Single ring fittings for 8mm.....	P. 057
- FM-200® system cylinder/valve assemblies.....	P. 036	- Cylinder mounting brackets.....	P. 057
- Cylinder/valve assemblies using NOVEC™ 1230 Fluid.....	P. 037	- Ball valves.....	P. 058
- Commercial kitchen cylinder/valve assemblies.....	P. 038	- Ball valve security lock.....	P. 058
- Vehicle Engine cylinder/valve assemblies.....	P. 038	- Gaskets.....	P. 058
- ABC Dry Chemical cylinder/valve assemblies.....	P. 039	- Pressure relief device.....	P. 059
<b>DETECTION SYSTEM ACCESSORIES</b> .....	P. 039	- Protection cap.....	P. 059
- FireDETEC® sensor tubing.....	P. 039	- Spare parts for vehicle engine systems.....	P. 060
- Switch manifold.....	P. 040	<b>INSTALLATION GUIDELINE</b> .....	P. 061
- Protective coils & springs.....	P. 040		
- Attachment clips.....	P. 041		
- Smoke detector.....	P. 041		
- Fittings.....	P. 042		
- End of line devices.....	P. 044		
<b>DISCHARGE SYSTEM ACCESSORIES</b> .....	P. 045		
- Discharge tubing.....	P. 045		
- Fittings.....	P. 045		
- Flexible hoses.....	P. 047		
- Mounting brackets.....	P. 047		
- Directional valves.....	P. 047		
- Nozzles.....	P. 048		
<b>DIMES ACCESSORIES</b> .....	P. 049		
- DIMES Control & Alarm Box.....	P. 049		
- DIMES Calibration Unit.....	P. 049		
- DIMES Connector Cables.....	P. 049		

FireDETEC® systems are designed according to one or more of the following standards: European VdS Directive 2093, CEA 4017 and NFPA 2001. Each page clearly indicates the applicable approval certification. In addition, all Rotarex manufacturing sites comply with ISO 9001 quality standards.



\* Components are certified only when used together in a properly configured installation

# THE FIREDETEC® CONCEPT

THE NEW KIND OF FIRE SUPPRESSION SYSTEM THAT INSTALLS DIRECTLY INSIDE INDIVIDUAL HIGH RISK MACHINERY OR EQUIPMENT – CLOSER TO WHERE A FIRE COULD START.

## IDEAL FOR:

SUPPLEMENTAL PROTECTION FOR CRITICAL HIGH-RISK EQUIPMENT:



### ELECTRICAL CIRCUITRY

- Electrical Cabinets
- Control Boxes
- Recharging stations
- Switch panels
- Relay stations



### MACHINERY

- CNC machines
- Construction machinery
- Agricultural machines



### OILS, CHEMICALS AND OPEN FLAME

- Fume Cabinets
- Paint & Chemical storage
- Petroleum storage tanks
- Hydraulic circuits



### COOKING AREAS

- Fryers
- Grills
- Mobile kitchens



### VEHICLE ENGINE

- Buses
- Trucks
- Cars
- Trams
- Trains
- Military heavy equipment
- Agricultural

### MANY OTHER APPLICATIONS:

- Diesel generators
- Wind turbines
- Construction cranes
- Pumping stations
- Elevators & escalators
- Battery charging stations
- Forklifts
- Medical laboratory equipment
- Test/production equipment
- Cable ducts
- Transmitters





## PROTECTS THE GAP BETWEEN CONVENTIONAL FIRE PROTECTION SYSTEMS



### 24/7 PROTECTION:

Automatically detects and suppresses fires at the source.



### PLUG & PLAY SIMPLICITY:

Systems and kits are pre-configured to European VdS or NFPA 2001 specifications with plug & play simplicity. No complex electronics.



### FAST AND EFFECTIVE:

Rapid reaction as soon as a fire starts, before it can damage equipment and before the sprinkler system activates. Safe against malfunction.



### HIGHLY ECONOMICAL:

Outstanding cost-performance ratio.

# PRE-ENGINEERED SYSTEMS



**ELECTRICAL CABINET SYSTEMS**  
For all electronics enclosures

P. 016



**CNC MACHINERY SYSTEMS**  
For all mechanical enclosures

P. 022



**FUME CABINET SYSTEMS**  
For all chemical handling enclosures

P. 024



**COMMERCIAL KITCHEN SYSTEMS**  
For small and medium - sized Kitchens

P. 026



**VEHICLE ENGINE SYSTEMS**  
For all mobile vehicules

P. 028

# SPECIAL APPLICATIONS



**SMOKE DETECTION OPTION** P. 030



**ABC DRY CHEMICAL SYSTEMS** P. 032

# COMPONENTS & SPARE PARTS



**CYLINDER / VALVE CO<sub>2</sub>** P. 034/35  
For IHP or DHP configuration



**CYLINDER / VALVE CHEMOURS® FM-200™** P. 036  
For ILP or DLP configurations



**CYLINDER / VALVE NOVEC™ 1230 FLUID** P.037  
For ILP or DLP configurations



**CYLINDER / VALVE FIREDETEC® F/K ea** P. 038  
For commercial kitchen systems



**CYLINDER / VALVE FIREDETEC® TS-55 ea** P. 038  
For vehicle engine systems



**CYLINDER / VALVE ABC DRY CHEMICAL SYSTEMS** P. 039  
For ILP configurations

## CONFIGURE CYLINDER/VALVE ASSEMBLIES TO YOUR NEEDS BY ORDERING COMPONENTS SEPARATELY



\*FM-200® is a trademark of Chemours, used under license.  
\*3M and NOVEC 1230 are trademark of The 3M Company.

## FIREDETEC® SENSOR TUBING & ACCESSORIES



**SENSOR TUBING** P. 039



**PRESSURE SWITCH MANIFOLD** P. 040



**PROTECTIVE COILS** P. 040



**SENSOR TUBE CLIPS** P. 041



**SMOKE DETECTOR** P. 041



**QUICK-CONNECT SENSOR TUBE FITTINGS** P. 042



**STANDARD SENSOR TUBE FITTINGS** P. 42



**HIGH VIBRATION SENSOR TUBE FITTINGS** P. 043



**CROSS PANEL FITTINGS** P. 043

## END OF LINE DEVICES & ACTUATORS



**END OF LINE PLUG** P. 044



**MANUAL RELEASE DEVICE** P. 044



**PISTON BLOCK** P. 044



**SOLENOID RELEASE DEVICE** P. 044



**END OF LINE ADAPTOR** P. 044



**G1/4" SOLENOID ACTUATOR** P. 044

## DISCHARGE SYSTEM & ACCESSORIES



**DISCHARGE TUBING** P. 45



**DOUBLE RING FITTINGS For steel tubing** P. 045



**PIPE FITTINGS** P. 046



**HOSES** P. 047



**DISCHARGE TUBE BRACKET** P. 047



**DIRECTIONAL VALVES** P. 047



**NOZZLES** P. 048



# DIMES



DIMES ACCESSORIES

P. 049

# OPTIONAL EQUIPMENT



PRESSURE SWITCH P. 050



ALARMS P. 050



DASHBOARD WARNING DEVICE P. 050



CYLINDER MOUNTING BRACKETS P. 051



PRESSURE SWITCH P. 052



CHECK VALVE P. 052



PRESSURE GAUGES P. 052



EXTINGUISHING AGENT REFILL P. 053



SOLENOID ILP VALVE P. 053



TWO ZONE DLP VALVE P. 053



LABELS P. 054/55

# INSTALLATION AND MAINTENANCE TOOLS



SENSOR TUBE CUTTER P. 056



SENSOR TUBE GRIPPING TOOL P. 056



SENSOR TUBE FILLING ADAPTOR P. 056



SENSOR TUBE FILLING KIT P. 056



SENSOR TUBE FILLING / DEMO KIT P. 056

# SPARE PARTS



SPARE PARTS

P. 057/60

## THE SENSOR TUBE TECHNOLOGY

Rotarex FireDETEC® systems use a proprietary continuous linear sensor tube that reliably detects and actuates release of the extinguishing agent using pneumatic technology. It is more flexible, space efficient and cost effective versus alternative mechanical or electronic systems. The revolutionary pneumatic design enables cost-effective protection of individual high-risk areas like electrical and mechanical equipment that were previously not practical to protect.

### 1. Installation closer to the source

Because the sensor tubing is flexible, it can easily be installed directly inside machines and enclosures – directly among circuitry and mechanics.

When in service, the tubing is pressurized with dry nitrogen under 240 psi / 16 bar of pressure. The dynamics of pressurization make the tubing more reactive to heat.



### 2. Early fire detection

The heat that immediately precedes or accompanies a fire causes the pressurized sensor tube to burst at the hottest spot.

### 3. Instant Suppression

The sudden tube depressurization actuates the special valve and floods the enclosed area with extinguishing agent. The fire is quickly suppressed just moments after it began ... minimizing damage and repair downtime.



**Exceptionally durable:**

- 5 + year service lifetime
- Low porosity
- Can withstand high cycle temperatures
- Highly UV resistant



# THE SENSOR TUBE TECHNOLOGY

## 3 TYPES OF TUBING FOR BEST PERFORMANCE



	All-Purpose Tubing	Special Applications	Kitchen Systems
<b>APPLICATION:</b>	For all applications	Multi-layer construction is more resistant to temperature extremes, chemical agents and UV	Specifically designed to withstand heat and grease conditions above kitchen cooking areas
<b>IDEAL FOR:</b>	<ul style="list-style-type: none"> <li>- Electrical Cabinets</li> <li>- Relay boxes</li> <li>- CNC Machines</li> <li>- Construction Machinery</li> <li>- Agricultural Machines</li> </ul>	<ul style="list-style-type: none"> <li>- Laboratory fume hoods</li> <li>- Chemical storage areas</li> <li>- Petroleum storage tanks</li> <li>- Hydraulic equipment</li> <li>- Vehicle engines</li> </ul>	<ul style="list-style-type: none"> <li>- Professional Kitchens</li> <li>- Zones at risk for grease fire</li> </ul>
<b>Burst Temperature</b>	110° C	110° C	175° C
<b>Color</b>	Red RAL 3000	Black RAL 9005	Grey RAL 7042
<b>Min. Bend Radius</b>	100 mm	150 mm	150 mm
<b>Working temp</b>	-30°C to 80°C	-30°C to 80°C	-30°C to 90°C

## DIRECT AND INDIRECT CONFIGURATIONS



### DIRECT SYSTEM

Extinguishing agent is discharged through the burst hole in the sensor tube.

**Used for:**

Very small enclosed space and hard to reach areas < 2m<sup>3</sup> (under certain conditions)

**Advantages:**

- More economical
- Easiest-to-install
- Ideal for multiple separated units



### INDIRECT SYSTEM

Extinguishing agent is discharged through a separate delivery nozzle.

**Used for:**

All Enclosed spaces

**Advantages:**

- Most effective fire suppression
- Covers a large area
- Allows quicker discharge of extinguishing agent
- Works with all suppression agents
- Manual actuation possible



**Improve productivity and safety with a Digital Measurement System - available as an option for all CO<sub>2</sub> indirect systems.**

**SIGNIFICANT ADVANTAGES:**

- Certainty that your system is charged and ready: Continually monitors cylinder pressure and system readiness. In case of a leak, the system can send an audio and visual warning signal.
- Eliminates the need to periodically dismount and weigh cylinders to verify fill levels.
- Electronic circuitry permits attachment of peripheral electronic devices



DIMES valves contain a micro chip that permits calibration of the system to the cylinder of valves. A calibration unit is required (see page 49).



**DIMES ELECTRONICALLY MEASURES THE CO<sub>2</sub> DENSITY IN THE CYLINDER**

The capacitance between two electrodes changes as the CO<sub>2</sub> density changes. This generates a digital signal that can be transmitted to an alarm box, digital readout device, or telemetrically to a remote location.



**Control alarm box**  
Indicates that system is properly armed and sounds audio alarm when the system actuates



**Calibration unit**  
Calibrates the valve to the cylinder using a built-in computer chip

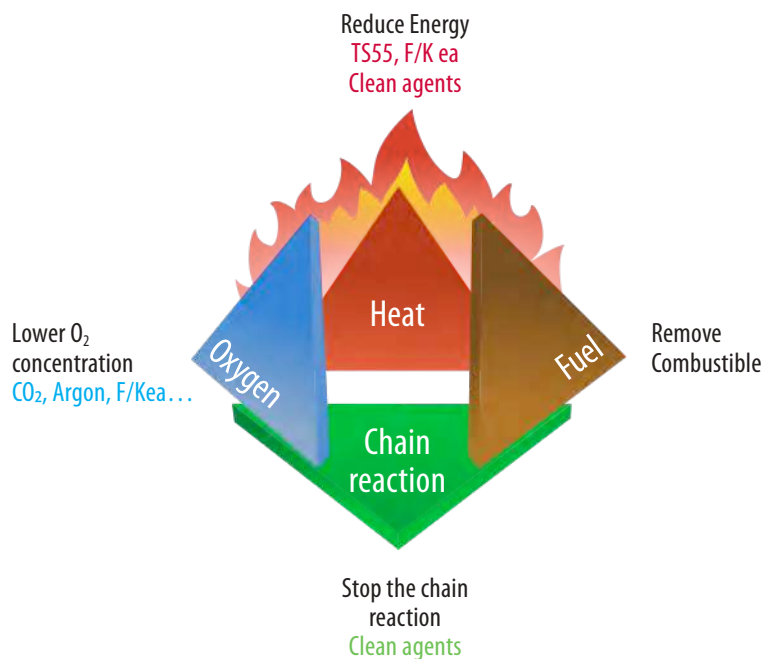


**Pressure switch**  
recommended to:  
- monitor system status  
- Transmit alarm signals  
- send an electronic shut-down signal

**TECHNICAL CHARACTERISTICS OF DIMES - ELECTRONIC**

Supply voltage	6 to 30 VDC	
Temperature range	- 20°C to + 60°C	
Alarm level	80 % (configurable)	
Max. switching power	20 W	
Max. contact rating	0,4 A	
Max. switching voltage	50 V	
Sealed housing	IP 67	
Max. dissipation rating	6 mA	
Max. dissipation power	12 VDC	24 VDC
	72 mW	144 mW

## EXTINGUISHING AGENTS



### FIRE CLASSES & EXTINGUISHING AGENT CHOICE

Europe	Australia	USA	Combustible	CO <sub>2</sub>	Inert Gas	FM-200™ HFC-227	NOVEC™1230	TS55	F/K ea	ABC dry chemical
Class A	Class A	Class A	Fires involving ordinary combustible (wood, paper, cloth, trash, plastics...)	±	±	±	±	✓	✓	✓
Class B	Class B	Class B	Fires involving flammable liquids or liquefiable solids (petrol, oil, paint...)	✓	✓	✓	✓	✗	✗	✓
Class C	Class C		Fires involving flammable gases (natural gas, hydrogen, propane, butane...)	✓	✓	✓	✓	✗	✗	✓
Class D	Class D	Class D	Fires involving combustible metals (sodium, magnesium, and potassium...)	✗	✗	✗	✗	✗	✗	✗
	Class E	Class C	Fires involving electrical devices, and energized electrical equipment (anything that is plugged in)	✓	✓	✓	✓	✗	✗	✓
Class F	Class F	Class K	Fires involving commercial cooking fats and oils	±	±	±	±	✗	✓	✓
			Fire involving vehicles (oils, plastics, hydrocarbon, ...)	±	±	±	±	✓	±	✓

All informations is non - contractual subjected to the real conditions of use / elements to be protected

# DIRECTIONAL VALVE TECHNOLOGY FOR CO<sub>2</sub> SYSTEMS

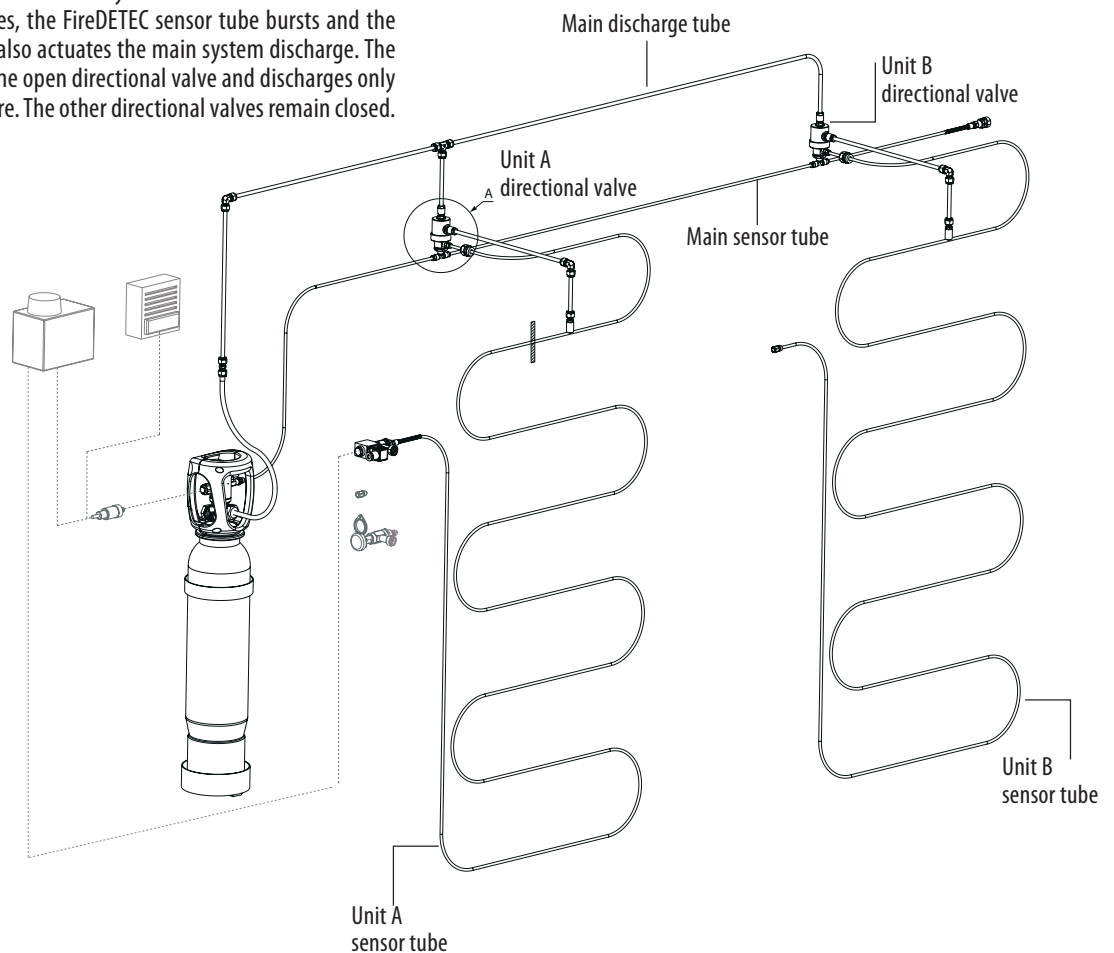
The efficient and economical way to protect multiple zones with the same cylinder/valve. FireDETEC Directional Valves allow you to isolate separate protection zones within a single system - with absolutely no loss of efficacy.



## HOW IT WORKS:

### EACH PROTECTION ZONE IS EQUIPPED WITH A DIRECTIONAL VALVE.

The directional valve is closed when the system is armed. In the event of a fire in one of the local zones, the FireDETEC sensor tube bursts and the directional valve opens. This also actuates the main system discharge. The discharge is routed through the open directional valve and discharges only in the zone where there is a fire. The other directional valves remain closed.



# ELECTRICAL CABINET SYSTEMS - INDIRECT

A complete preengineered system for electrical cabinets and other enclosed areas with electric circuitry

### MINIMIZES RISK TO VITAL EQUIPMENT

- #1 Cause of Industrial Fires\*
- 75% of total-loss fires start as an electrical fire\*
- Helps minimize damage to vital electrical equipment
- Minimizes work stoppage during repairs/cleanup
- Prevents extensive cleanup if the sprinkler system discharges

### KEY FEATURES

- A complete, ready-to-install system - all in one box
- Available with CO<sub>2</sub> or HFC-227ea extinguishing agent
- Available in multiple cylinder sizes for small, medium or large enclosures
- CO<sub>2</sub> systems available with choice of filled or unfilled cylinders
- HFC-227ea systems available filled only. Unfilled on request



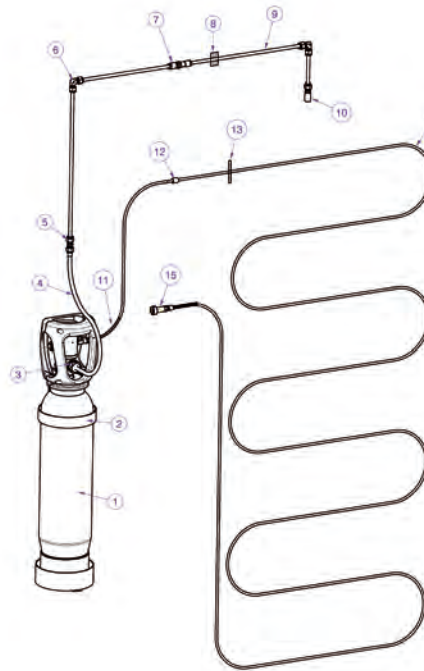
\*NFPA statistics



SYSTEM CONTENTS - CO<sub>2</sub>



**COMPLETE CO<sub>2</sub> SYSTEMS**



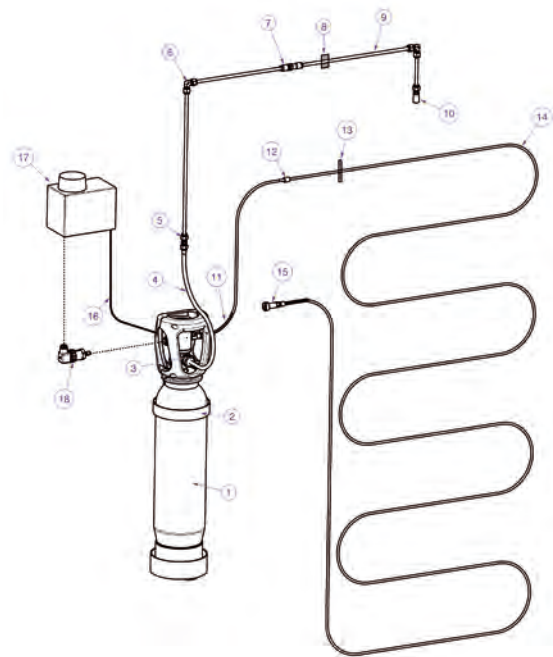
POS.	QTY.	CODE	DESCRIPTION 5 KG.
1	1	B07024001	IHP Cylinder / valve assembly
2	1	024900390	Cylinder bracket
3	1	024100013	Gasket
4	1	B06920006	Rubber hose
5	2	B07835026	Tube fitting - straight
6	2	B07835028	Tube fitting - Elbow
7	1	B07835037	Cross panel-fitting
8	4	B07860006	Pipe bracket (Ø 8mm)
9	2	022700599	Stainless steel tubing (1m)
10	1	026200116	Nozzle
11	1	024920013	Protection Spring top
12	1	B07830005	Cross panel-fitting
13	20	B07860004	Binding ties
14	1	B07800015	FireDETEC® Tube red (10m)
15	1	B07810014	End of line gauge

Contents may vary according to cylinder sizes

**SPECIFICATIONS**

	COMPLETE CO <sub>2</sub> SYSTEMS	
Product code unfilled	B07504000	B07504004
Product code filled	B07504500	B07504504
Agent capacity	5 Kg.	10 Kg. Ø204mm
Number of nozzles	1	2
Cylinder volume	6.7 liters	13.4 liters
Cylinder approval	π	π
Cyl. / valve weight (empty)	10 Kg.	21 Kg.
Operating Temperature	-20°C to 60°C	-20°C to 60°C
Working pressure	60 bar at 20°C	60 bar at 20°C
Siphon tube	Yes	Yes
Sensor tubing color	Red	Red

**COMPLETE CO<sub>2</sub> SYSTEM with DIMES**



POS.	QTY.	CODE	DESCRIPTION 5 KG.
1	1	B07025001	IHP Cylinder / valve assembly
2	1	024900390	Cylinder bracket
3	1	024100013	Gasket
4	1	B06920006	Rubber hose
5	1	B07835026	Tube fitting - straight
6	2	B07835028	Tube fitting - Elbow
7	1	B07835037	Cross panel-fitting
8	4	B07860006	Pipe bracket (Ø 8mm)
9	2	022700599	Stainless steel tubing (1m)
10	1	026200116	Nozzle
11	1	024920013	Protection Spring top
12	1	B07830005	Cross panel-fitting
13	20	B07860004	Binding ties
14	1	B07800015	FireDETEC® Tube red (10m)
15	1	B07810014	End of line gauge
16	1	029900088	Connector + cable for DIMES
17	1	B07850201	Control box
18	1	028255048	Pressure switch

Contents may vary according to cylinder sizes

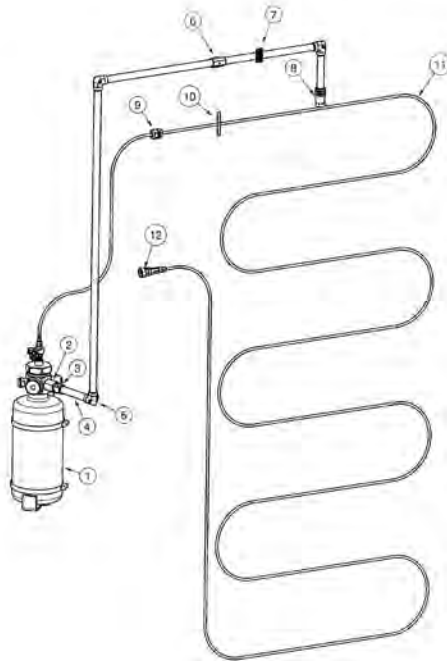
**SPECIFICATIONS**

	COMPLETE CO <sub>2</sub> SYSTEM with DIMES	
Product code unfilled	B07505000	B07505004
Product code filled	B07505500	B07505504
Agent capacity	5 Kg.	10 Kg. Ø204mm
Number of nozzles	1	2
Cylinder volume	6.7 liters	13.4 liters
Cylinder approval	π	π
Cyl. / valve weight (empty)	10 Kg.	21 Kg.
Operating Temperature	-20°C to 60°C	-20°C to 60°C
Working pressure	60 bar at 20°C	60 bar at 20°C
Siphon tube	Yes	Yes
Sensor tubing color	Red	Red

SYSTEM CONTENTS - HFC-227 ea



**HFC-227 ea SYSTEMS**



POS.	QTY.	CODE	DESCRIPTION 7 LB. 1 NOZZLE
1	1	B07014513	ILP cylinder / valve assembly
2	1	B07833003	Union fitting
3	1	B07833004	Reducing fitting
4	4	022700611	Steel pipe 3/8" sch 40 (1m)
5	3	B07833005	Elbow fitting
6	4	B07833006	Straight fitting
7	4	B07860008	Pipe bracket
8	1	026200104	Nozzle
9	1	B07830005	Cross panel-fitting
10	20	B07860004	Binding ties
11	1	B07800015	FireDETEC® Tube red (10m)
12	1	B07810026	End of line adaptor

Contents may vary according to cylinder sizes

SPECIFICATIONS

HFC 227 ea SYSTEMS					
Product code unfilled	On request	On request	On request	On request	On request
Product code filled	B07506003	B07506004	B07506006	B07506005	B07506007
Agent capacity	1,36 Kg. / 3 lbs.	3,18 Kg. / 7 lbs.	3,18 Kg. / 7 lbs.	6,35 Kg. / 14 lbs.	6,35 Kg. / 14 lbs.
Number of nozzles	1	1	2	1	2
Cylinder volume	75 in <sup>3</sup>	174 in <sup>3</sup>	174 in <sup>3</sup>	350 in <sup>3</sup>	350 in <sup>3</sup>
Cylinder approval	CE	CE	CE	CE	CE
Operating Temperature	-20°C to 60°C	-20°C to 60°C	-20°C to 60°C	-20°C to 60°C	-20°C to 60°C
Working pressure	16 bar at 20°C	16 bar at 20°C	16 bar at 20°C	16 bar at 20°C	16 bar at 20°C
Siphon tube	Yes	Yes	Yes	Yes	Yes
Sensor tubing color	Red	Red	Red	Red	Red

## ELECTRICAL CABINET SYSTEMS - DIRECT

A complete preengineered system for small electrical cabinets (<2m<sup>3</sup>) and other enclosed areas with electric circuitry

### MINIMIZES RISK TO VITAL EQUIPMENT

- #1 Cause of Industrial Fires\*
- 75% of total-loss fires start as an electrical fire\*
- Helps minimize damage to vital electrical equipment
- Minimizes work stoppage during repairs/cleanup
- Prevents extensive cleanup if the sprinkler system discharges

### KEY FEATURES

- A complete, ready-to-install system - all in one box
- Available with CO<sub>2</sub> or HFC-227ea extinguishing agent
- Available in multiple cylinder sizes for small or medium enclosures
- Systems available with choice of filled or unfilled cylinders
- CE approved cylinders only

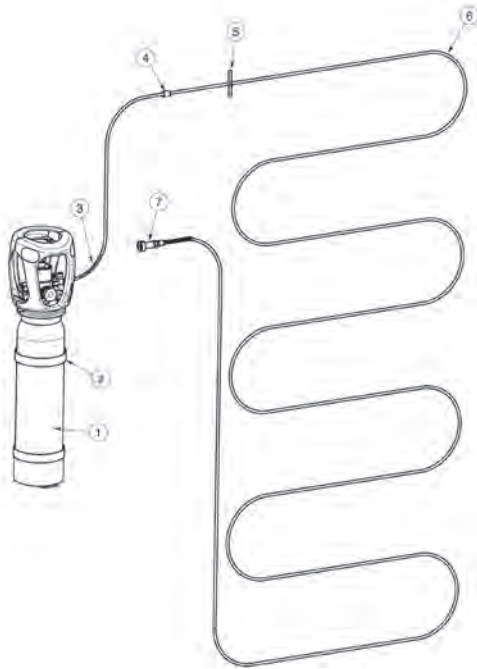


\*NFPA statistics

SYSTEM CONTENTS



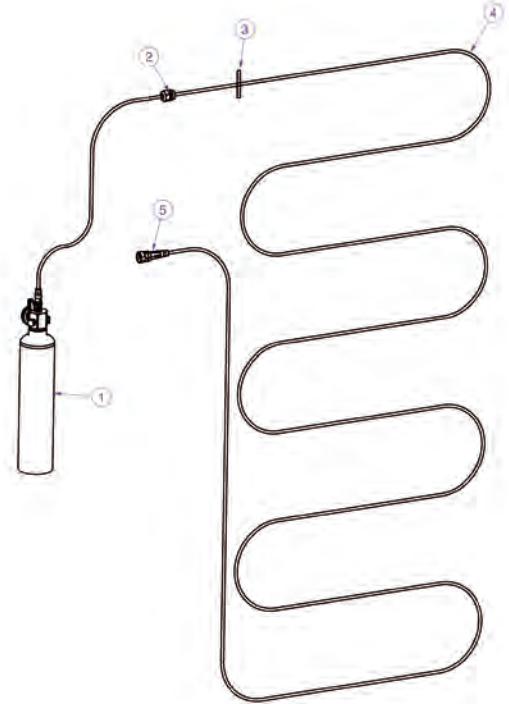
**CO<sub>2</sub> SYSTEMS**



POS.	QTY.	CODE	DESCRIPTION 2 KG.
1	1	B07034000	DHP cylinder / valve assembly (not filled)
2	1	024900399	Cylinder bracket
3	1	024920013	Protection spring top
4	1	B07830005	Cross panel-fitting
5	20	B07860004	Binding ties
6	1	B07800015	FireDETEC® tube red (10 m)
7	1	B07810014	End of line gauge

Contents may vary according to cylinder sizes

**HFC-227 ea SYSTEMS**



POS.	QTY.	CODE	DESCRIPTION 3 LB. CE
1	1	B07004004	DLP cylinder/valve assembly (not filled) with bracket
2	1	B07830005	Cross-panel fitting
3	20	B07860005	Binding ties
4	1	B07800015	FireDETEC® sensor tubing red (10m)
5	1	B07810026	End-of-line gauge

Contents may vary according to cylinder sizes

SPECIFICATIONS

	CO <sub>2</sub> SYSTEMS	
Product code unfilled	B07502001	B07502003
Product code filled	B07502501	B07502503
Agent capacity	2 Kg.	5 Kg.
Number of nozzles	0	0
Cylinder volume	2,7 L	6,7 L
Cylinder approval	π	π
Cyl. / valve weight (empty)	6,8 Kg.	10 Kg.
Operating Temperature	-20°C to 60°C	-20°C to 60°C
Working pressure	60 bar at 20°C	60 bar at 20°C
Siphon tube	Yes	Yes
Sensor tubing color	Red	Red

	HFC-227 ea SYSTEMS	
Product code unfilled	B07507004	B07507005
Product code filled	B07507006	B07507007
Agent capacity	1,36 Kg. / 3 lbs.	3,18 Kg. / 7 lbs.
Number of nozzles	0	0
Cylinder volume	75 in <sup>3</sup>	174 in <sup>3</sup>
Cylinder approval	CE	CE
Cyl. / valve weight (empty)	3,46 Kg. / 7,62 lbs.	6,35 Kg. / 14 lbs.
Operating Temperature	-20°C to 60°C	-20°C to 60°C
Working pressure	16 bar at 20°C	16 bar at 20°C
Siphon tube	Yes	Yes
Sensor tubing color	Red	Red

# CNC MACHINE SYSTEMS

A complete preengineered system for CNC Machines and other enclosed areas with mechanical or electrical components



Everything you need together in one box

DIMES option available



5 Kg. / 10 Kg.

Optional :



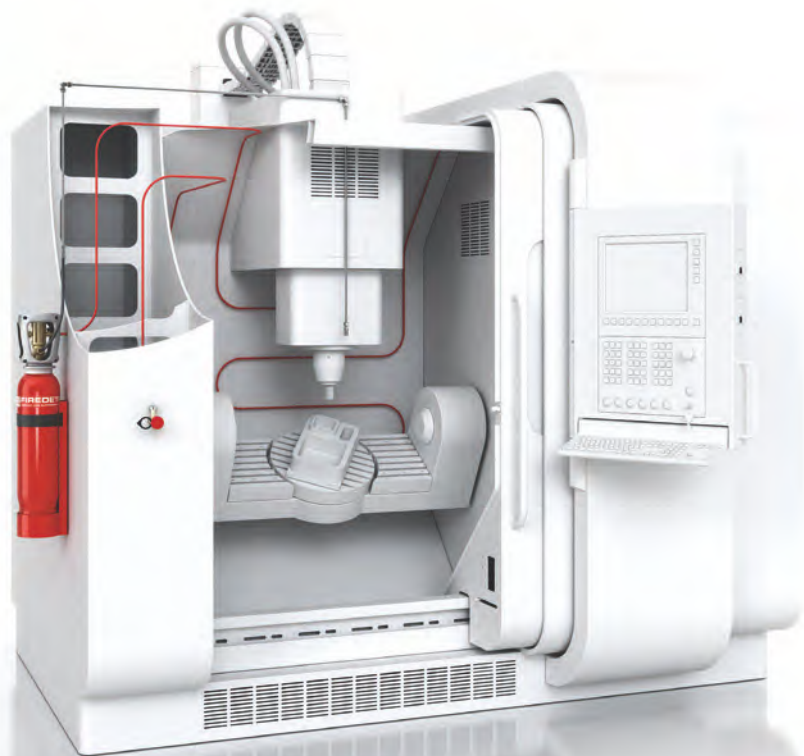
Pressure switch manifold p.40

## MINIMIZES RISK TO VITAL EQUIPMENT

- 66% of industrial fires begin on the shop floor\*
- EU Machinery Directive 2006 42EC requires certain machines to be fitted with a built-in fire extinguishing system
- Helps minimize damage to vital production equipment
- Minimizes work stoppage during repairs/cleanup
- Prevents extensive cleanup if the sprinkler system discharges

## KEY FEATURES

- A complete, ready-to-install system - all in one box
- Available with CO<sub>2</sub> extinguishing agent
- Available in multiple cylinder sizes for small or medium enclosures
- CO<sub>2</sub> systems available with choice of filled or unfilled cylinders
- Manual actuator included
- Protection spring included to protect sensor tubing from shocks and hot metal chips



### Key causes of Laboratory Fume Hood fires:

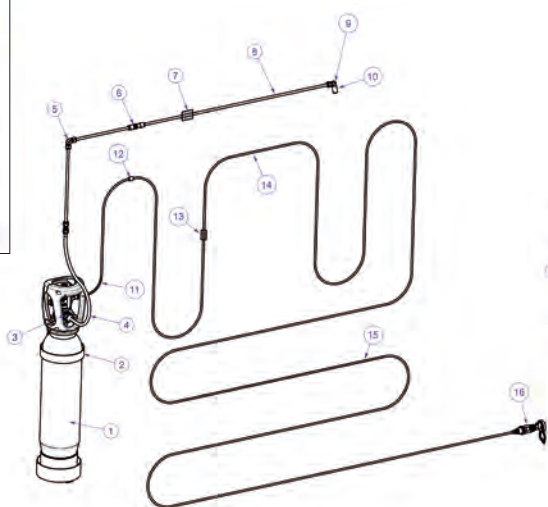
- Coolant malfunction
- Tool breakage
- High friction
- Static electricity
- Combustion of oil residues
- Poor maintenance
- Operator error

\*NFPA statistics

SYSTEM CONTENTS



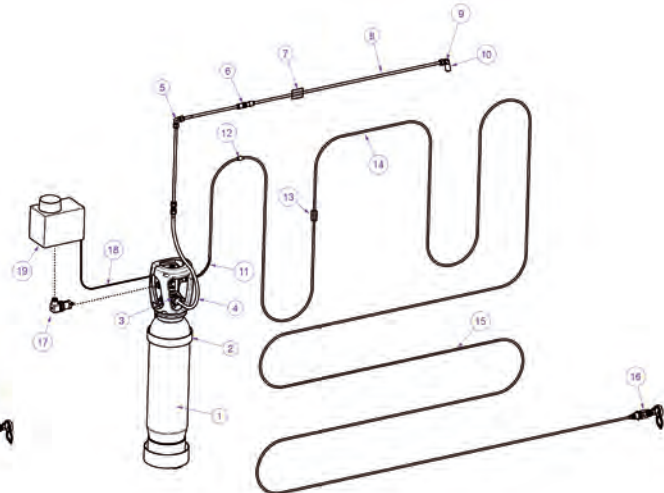
**COMPLETE CO<sub>2</sub> SYSTEM**



POS.	QTY.	CODE	DESCRIPTION 5 KG.
1	1	B07024001	IHP cylinder/valve assembly
2	1	024900390	Cylinder bracket
3	1	024100013	Gasket
4	1	B06920006	Rubber hose
5	1	B07835028	Double ring fitting - elbow 8mm
6	1	B07835037	Double ring fitting - Cross-panel straight
7	6	B07860006	Pipe bracket 8mm
8	3	022700599	8mm Stainless steel tubing (1 m)
9	1	B07835036	Double ring fitting - elbow G1/4" - 8mm
10	1	026200116	Nozzle
11	1	024920013	Protection spring top
12	1	B07830005	Cross-panel fitting
13	20	B07860002	Screwed clips for sensor tube attachment
14	1	B07800015	FireDETEC® Tube red (10m)
15	1	B07850030	Protection spring for sensor tubing
16	1	B04420115	Manual release device

Contents may vary according to cylinder sizes

**COMPLETE CO<sub>2</sub> SYSTEM with DIMES**



POS.	QTY.	CODE	DESCRIPTION 5 KG.
1	1	B07025001	IHP cylinder/valve assembly
2	1	024900390	Cylinder bracket
3	1	024100013	Gasket
4	1	B06920006	Rubber hose
5	1	B07835028	Double ring fitting - elbow 8mm
6	1	B07835037	Double ring fitting - Cross-panel straight
7	6	B07860006	Pipe bracket 8mm
8	3	022700599	8mm Stainless steel tubing (1 m)
9	1	B07835036	Double ring fitting - elbow G1/4" - 8mm
10	1	026200116	Nozzle
11	1	024920013	Protection spring top
12	1	B07830005	Cross-panel fitting
13	20	B07860002	Screwed clips for sensor tube attachment
14	1	B07800015	FireDETEC® sensor tubing red (10m)
15	1	B07850030	Protection spring for sensor tubing (5,8m)
16	1	B04420115	Manual release device
17	1	028255048	Pressure Switch
18	1	029900088	Connector + Cable for DIMES
19	1	B07850201	DIMES Control Box

Contents may vary according to cylinder sizes

SPECIFICATIONS

	COMPLETE CO <sub>2</sub> SYSTEM	
Product code unfilled	B07504002	B07504003
Product code filled	B07504502	B07504503
Agent capacity	5 Kg.	10 Kg. Ø204mm
Number of nozzles	1	2
Cylinder volume	6.7 liters	13.4 liters
Cylinder approval	π	π
Cyl. / valve weight (empty)	10 Kg.	21 Kg.
Operating Temperature	-20°C to 60°C	-20°C to 60°C
Working pressure	60 bar at 20°C	60 bar at 20°C
Siphon tube	Yes	Yes
Sensor tubing color	Red	Red

	COMPLETE CO <sub>2</sub> SYSTEM with DIMES	
Product code unfilled	B07505002	B07505003
Product code filled	B07505502	B07505503
Agent capacity	5 Kg.	10 Kg. Ø204mm
Number of nozzles	1	2
Cylinder volume	6.7 liters	13.4 liters
Cylinder approval	π	π
Cyl. / valve weight (empty)	10 Kg.	21 Kg.
Operating Temperature	-20°C to 60°C	-20°C to 60°C
Working pressure	60 bar at 20°C	60 bar at 20°C
Siphon tube	Yes	Yes
Sensor tubing color	Red	Red

# FUME CABINET SYSTEMS

A complete preengineered system for Fume Cabinets and other enclosed chemical storage areas.



Everything you need together in one box

DIMES option available



5 Kg. / 10 Kg.

Optional :



Pressure switch manifold p.40

## MINIMIZES RISK TO VITAL EQUIPMENT

- High incidence of fire in lab environments due to exposure of chemicals to open flame
- Extraction fan draws flames into hood where they can ignite other chemical residues
- Helps prevent technician injury
- Helps minimize damage to vital laboratory equipment
- Minimizes lab stoppage during repairs/cleanup
- Prevents extensive cleanup if the sprinkler system discharges

## KEY FEATURES

- A complete, ready-to-install system - all in one box
- Available with CO<sub>2</sub> extinguishing agent
- Available in multiple cylinder sizes for small or medium enclosures
- Manual actuator included
- Protection spring included to protect sensor tubing from shocks and hot metal chips



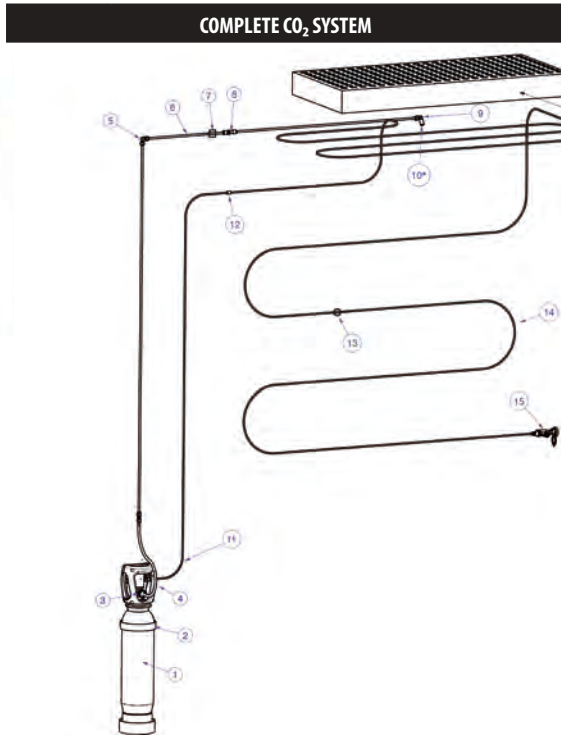
\*Red tubing for visualization only. System is installed with black tubing

**Key causes of Laboratory Fume Hood fires:**

- Open Flame
- Flammable chemicals
- Technican error
- Combustion of chemical residues in extraction hood

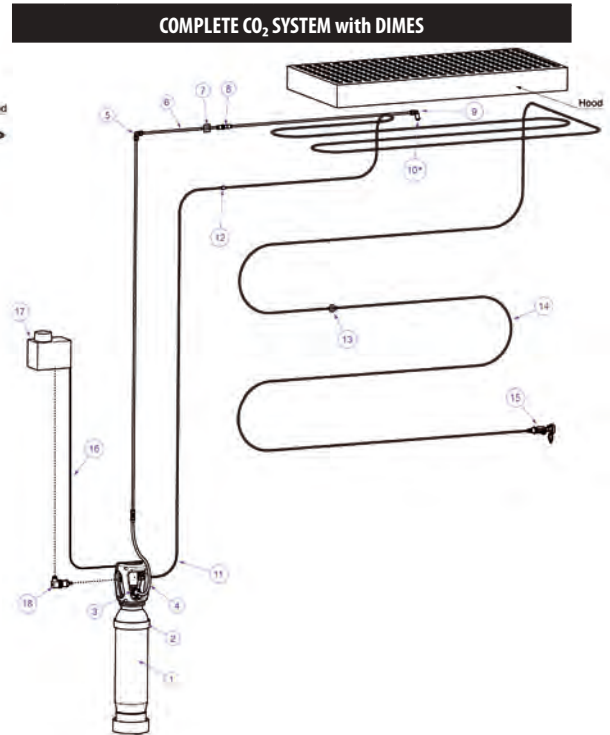


SYSTEM CONTENTS



POS.	QTY.	CODE	DESCRIPTION 5 KG.
1	1	B07024001	IHP cylinder/valve assembly
2	1	024900390	Cylinder bracket
3	1	024100013	Gasket
4	1	B06920006	Rubber Hose
5	1	B07835028	Double ring fitting - elbow 8mm
6	1	B07835037	Double ring fitting - Cross-panel straight
7	6	B07860006	Pipe bracket 8mm
8	3	022700599	8mm Stainless steel tubing (1 m)
9	1	B07835036	Double ring fitting - elbow G¼" - 8mm
10	1	026200116	Nozzle
11	1	024920013	Protection spring top
12	1	B07830005	Cross-panel fitting
13	20	B07860005	Self-adhesive binding ties
14	1	B07800202	FireDETEC® sensor tubing black (10m)
15	1	B04420115	Manual release device

Contents may vary according to cylinder sizes



POS.	QTY.	CODE	DESCRIPTION 5 KG.
1	1	B07025001	IHP cylinder/valve assembly - DIMES
2	1	024900390	Cylinder bracket
3	1	024100013	Gasket
4	1	B06920006	Rubber Hose
5	1	B07835028	Double ring fitting - elbow 8mm
6	1	B07835037	Double ring fitting - Cross-panel straight
7	6	B07860006	Pipe bracket 8mm
8	3	022700599	8mm Stainless steel tubing (1 m)
9	1	B07835036	Double ring fitting - elbow G¼" - 8mm
10	1	026200116	Nozzle
11	1	024920013	Protection spring top
12	1	B07830005	Cross-panel fitting
13	20	B07860005	Self-adhesive binding ties
14	1	B07800202	FireDETEC® sensor tubing black (10m)
15	1	B04420115	Manual release device
16	1	029900088	Connector + Cable for DIMES
17	1	B07850201	DIMES Control Box
18	1	028255048	Pressure Switch

Contents may vary according to cylinder sizes

SPECIFICATIONS

	COMPLETE CO <sub>2</sub> SYSTEM	
Product code unfilled	B07504001	B07504005
Product code filled	B07504501	B07504505
Agent capacity	5 Kg.	10 Kg. Ø204 mm
Number of nozzles	1	2
Cylinder volume	6,7 L	13,4 L
Cylinder approval	π	π
Cyl. / valve weight (empty)	10 Kg.	21 Kg.
Operating Temperature	-20°C to 60°C	-20°C to 60°C
Working pressure	60 bar at 20°C	60 bar at 20°C
Siphon tube	Yes	Yes
Sensor tubing color	Black	Black

	COMPLETE CO <sub>2</sub> SYSTEM with DIMES	
Product code unfilled	B07505001	B07505005
Product code filled	B07505501	B07505505
Agent capacity	5 Kg.	10 Kg. Ø204 mm
Number of nozzles	1	2
Cylinder volume	6,7 L	13,4 L
Cylinder approval	π	π
Cyl. / valve weight (empty)	10 Kg.	21 Kg.
Operating Temperature	-20°C to 60°C	-20°C to 60°C
Working pressure	60 bar at 20°C	60 bar at 20°C
Siphon tube	Yes	Yes
Sensor tubing color	Black	Black

# COMMERCIAL KITCHEN SYSTEMS

A complete pre-engineered system for commercial kitchens and other areas at risk for grease-based fires

Protects cooking areas with 2 protection zones + extraction hood



Everything you need together in one box



New piston block actuator now available (see p. 44)



Stainless steel protection cabinet (see p. 51)

Optional :



Alarms p.50

Pressure switch p.50



Optional :



Pressure switch manifold p.40

## MINIMIZES RISK TO VITAL EQUIPMENT

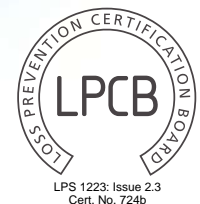
- High incidence of fire in grill and fryer areas
- Extraction fan draws flames into hood where they can ignite other oily residues
- Helps prevent personnel injury
- Helps minimize damage to vital cooking equipment and surrounding areas
- Minimizes service stoppage during repairs/cleanup and loss of customer goodwill

## KEY FEATURES

- A complete, ready-to-install system - all in one box
- Available with liquid-based FireDETEC® F/K extinguishing agent
- Manual actuator included
- Supplied with robust grey FireDETEC® sensor tubing to withstand higher ambient temperatures
- Also available as a partial system without discharge tubes and fittings
- Choice of systems with manual actuator or with new piston block manual actuator (not LPCB approved)
- Kitchen systems cylinders are standardly delivered unfilled. Systems delivered with F/K extinguishing agent



\*Red tubing for visualization only. System is installed with grey tubing



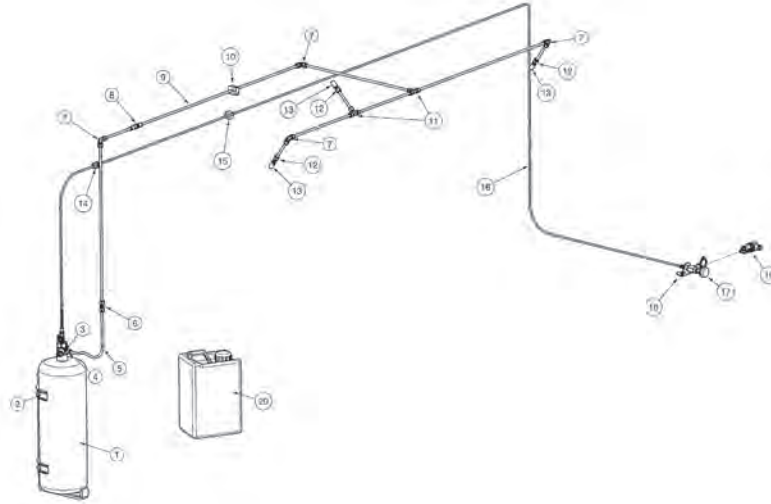
LPCB Certified and Listed for Fixed Fire Extinguishing Systems for Catering Equipment. Tested for quality, Safety and Performance according to LPS 1223, Issue 2.3. Applies to B07503000 and B07503001.

**Key risk-areas for Kitchen fires:**

- Grill
- Deep fat fryer
- Extraction hood

SYSTEM CONTENTS

COMMERCIAL KITCHEN SYSTEM



COMPLETE KITCHEN SYSTEM			
POS.	QTY.	CODE	DESCRIPTION
1	1	Varies	ILP cylinder/valve assembly (not filled)
2	1	024900401	Cylinder bracket
3	1	024100037	Steel joint
4	1	B07835039	Double ring fitting - straight R1/4" - 8mm
5	1	022920040	Flexible stainless steel hose
6	1	B07835027	Double-ring fitting -straight 8mm
7	4	B07835028	Double ring fitting - elbow 8mm
8	1	B07835037	Double ring fitting - Cross-panel straight
9	6	022700599	8mm Stainless steel tubing (1 m)
10	10	B07860006	Pipe bracket 8mm
11	2	B07835029	Double ring fitting - tee - 8mm
12	3	B07835038	Double ring adapter - 8mm - R1/4"
13	3	026200117	Nozzle
14	1	B07830005	Cross-panel fitting
15	20	B07860002	Screwed clips for sensor tube attachment
16	1	B07800303	FireDETEC® sensor tubing grey (10m)
17	1	varies	Manual actuator
18	1	024900414	Wall bracket (for LPCB system)
19	1	028255048	Pressure switch
20	1	020080157	9L canister of FireDETEC® F/K agent
21	1	028000279	Set of labels

PARTIAL KITCHEN SYSTEM (excluding discharge tubes and fittings)			
POS.	QTY.	CODE	DESCRIPTION
1	1	Varies	ILP cylinder/valve assembly (not filled)
2	1	024900401	Cylinder bracket
3	1	024100037	Steel joint
4	1	B07835039	Double ring fitting - straight R1/4" - 8mm
5	1	022920040	Flexible stainless steel hose
13	3	026200117	Nozzle
14	1	B07830005	Cross-panel fitting
15	20	B07860002	Screwed clips for sensor tube attachment
16	1	B07800303	FireDETEC® sensor tubing grey (10m)
17	1	varies	Manual actuator
18	1	024900414	Wall bracket (for LPCB system)
19	1	028255048	Pressure switch
20	1	020080157	9L canister of FireDETEC® F/K agent
21	1	028000279	Set of labels

SPECIFICATIONS

WITH MANUAL ACTUATOR	
Complete kitchen system	Partial kitchen system (excluding discharge tubes and fittings)



WITH PISTON BLOCK ACTUATOR	
Complete kitchen system	Partial kitchen system (excluding discharge tubes and fittings)



Product code unfilled	B07503000	B07503001
Agent capacity	9 Liters	9 Liters
Number of nozzles	3	3
Cylinder volume	12,5 L	12,5 L
System approval	LPCB	LPCB
Cylinder approval	CE (PED)	CE (PED)
Operating Temperature	5°C to 50°C	5°C to 50°C
Working pressure	16 bar at 20°C	16 bar at 20°C
Sensor tubing color	Grey	Grey
Sensor tube connection	Standard	Standard
Valve with safety device	No	No
Cyl / valve weight	4,5 kg	4,5 kg

Product code unfilled	B07503002	B07503003
Agent capacity	9 Liters	9 Liters
Number of nozzles	3	3
Cylinder volume	12,5 L	12,5 L
System approval	-	-
Cylinder approval	CE (PED)	CE (PED)
Operating Temperature	5°C to 50°C	5°C to 50°C
Working pressure	16 bar at 20°C	16 bar at 20°C
Sensor tubing color	Grey	Grey
Sensor tube connection	Quick-fit	Quick-fit
Valve with safety device	Yes	Yes
Cyl / valve weight	4,5 kg	4,5 kg

# VEHICLE ENGINE SYSTEM

A complete pre-engineered system for vehicle engine compartments

For all types of on-road and off-road vehicles

Everything you need together in one box



Optional dashboard control unit available (see p.50)



## MINIMIZES RISK TO VITAL EQUIPMENT

- Most vehicle fires start in the engine compartment
- Helps prevent passenger injury
- Helps minimize damage to vital equipment and surrounding areas
- Minimizes service downtime during repairs

- For safety, extinguishing liquid and pressurized gas are in separate chambers
- When activated, the pressurized gas is released into the outer chamber forcing against a piston.
- The piston pushes the liquid out through the discharge tube
- A built-in pressure regulator ensures a constant and sustained discharge

## KEY FEATURES

- A complete, ready-to-install system - all in one box
- Available with liquid-based FireDETEC® TS-55 extinguishing agent
- Special patented cylinder designed specifically for high-vibration engine environments
- Available in 7L cylinder sizes
- Also available as a partial system without discharge tubes and fittings
- Cylinders available either empty or filled/pressurized



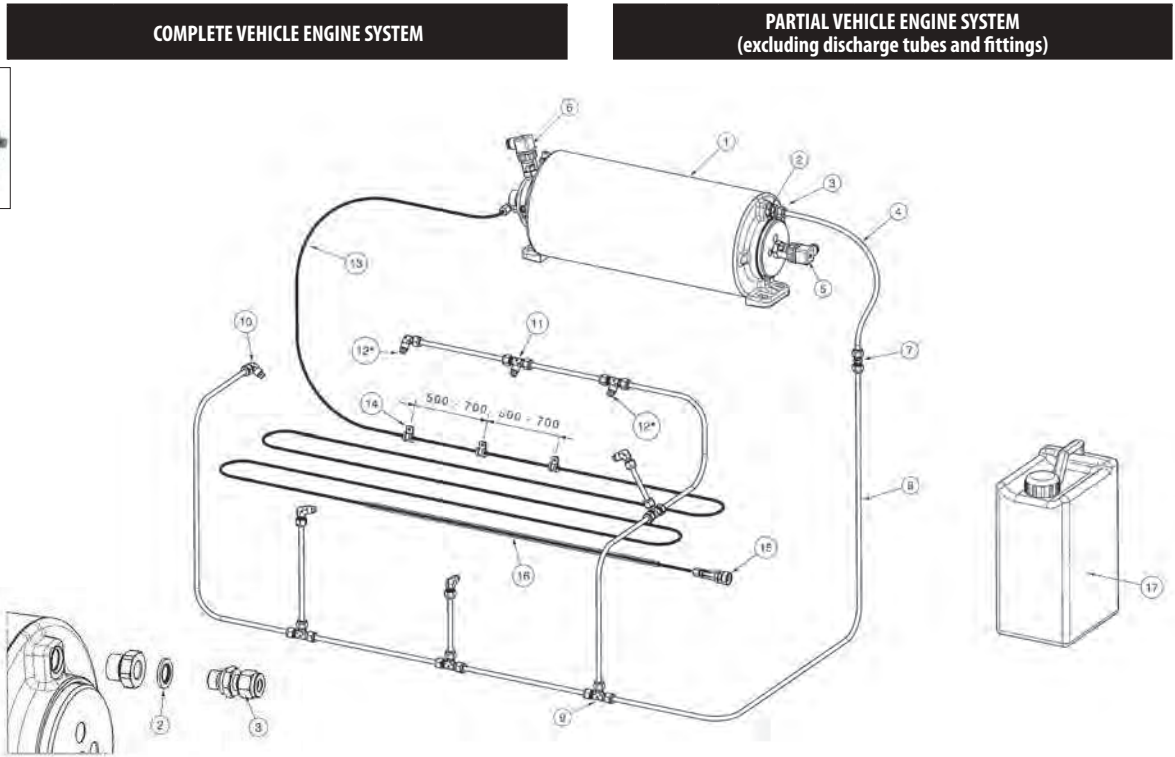
\*Red tubing for visualization only. System is installed with black tubing



FireDETEC® vehicle engine systems are the first systems to be SP-Certified according to SPCR 183 / SP method 4912, chapter 3



SYSTEM CONTENTS



POS.	QTY.	CODE	DESCRIPTION
1	1	B09025000	Special Dual-chamber cylinder + fittings
2	1	024100037	Steel gasket
3	1	B07835026	Double ring fitting - straight G¼" - 8mm
4	1	022720039	Flexible stainless steel hose
5	1	028255047	Pressure switch (160 bar)
6	1	028255048	Pressure switch (5 bar)
7	4	B07835027	Double-ring fitting -straight 8mm
8	5	022700599	8mm Stainless steel tubing (1 m)
9	4	B07835029	Double ring fitting - tee - 8mm
10	5	B07835031	Double ring fitting - elbow - 8mm - R½" female
11	2	B07835030	Double ring fitting - tee - 8mm - R½" female
12	7	026205098	Nozzle
13	1	B07800202	FireDETEC® sensor tubing black (10m)
14	30	B07860002	Screwed clips for sensor tube attachment
15	1	B07810025	End-of-Line gauge - high vibration
16	1	B07850030	Protection spring for sensor tubing
17	1	020080158	7L canister of FireDETEC® TS-55 agent

POS.	QTY.	CODE	DESCRIPTION
1	1	B09025000	Special Dual-chamber cylinder + fittings
2	1	024100037	Steel gasket
3	1	B07835026	Double ring fitting - straight G¼" - 8mm
4	1	022720039	Flexible stainless steel hose
5	1	028255047	Pressure switch (160 bar)
6	1	028255048	Pressure switch (5 bar)
12	7	026205098	Nozzle
13	1	B07800202	FireDETEC® sensor tubing black (10m)
15	1	B07810025	End-of-Line gauge - high vibration
17	1	020080158	7L canister of FireDETEC® TS-55 agent

SPECIFICATIONS

	COMPLETE VEHICLE ENGINE SYSTEM	PARTIAL VEHICLE ENGINE SYSTEM (excluding discharge tubes and fittings)
Product code unfilled	B09026001	B09026002
Product code filled*	B09026501	B09026502
Agent capacity	7 Liters	7 Liters
Number of nozzles	7	7
Cylinder volume	7,0 L	7,0 L
Cylinder approval	π	π
Operating Temperature	-30°C to 80°C	-30°C to 80°C
Working pressure	200 bar	200 bar
Sensor tubing color	Black	Black

\*filled and pressurized

# ELECTRICAL CABINET - SMOKE DETECTOR

A system for electrical cabinets and other enclosed areas with electric circuitry that you configure yourself using available components



## MINIMIZES RISK TO VITAL EQUIPMENT

- Detects a fire before it even becomes a fire
- Ideal for early electrical fires that usually emit smoke before they become a flame
- Helps prevent the actual fire and sends a warning signal for intervention
- Less equipment damage. Much faster repair to put the electrical circuitry back in service.
- Prevents extensive cleanup if the sprinkler system discharges

## KEY FEATURES

- All-electronic smoke detection instead of thermal pneumatic tube detection
- For CO<sub>2</sub> extinguishing agent
- Standardly delivered unfilled. Can be filled on request

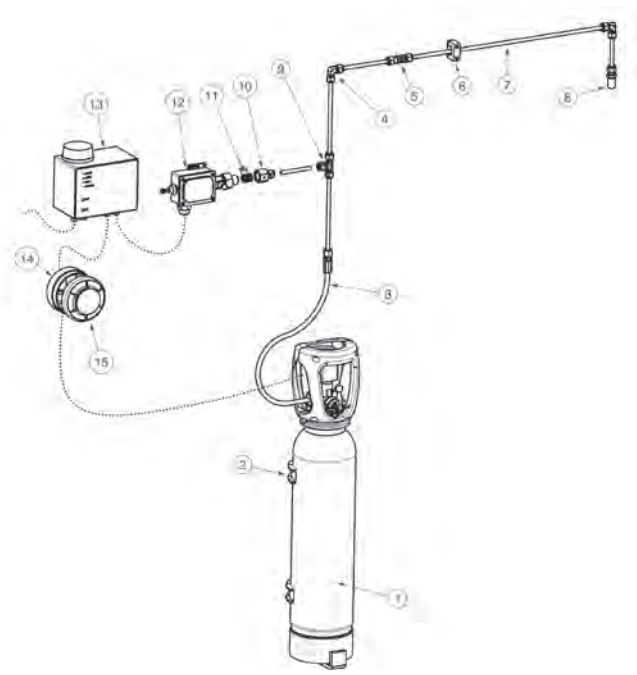


RECOMMENDED SYSTEM CONFIGURATION

WHAT YOU SHOULD ORDER



CONFIGURE CYLINDER/VALVE ASSEMBLIES TO YOUR NEEDS BY ORDERING COMPONENTS SEPARATELY



POS.	QTY.	CODE	DESCRIPTION	
1	1	B04394006	B0439 kit 5 Kg. (not filled)	pg. 35
2	1	024900390	Cylinder bracket	pg. 51
3	1	B06920006	Flexible piping	pg. 47
4	1	B07835037	Tube fitting - Cross panel	pg. 45
5	2	B07835028	Tube fitting - Elbow	pg. 45
6	4	B07860006	Pipe bracket Ø8 mm	pg. 47
7	3	022700599	Stainless steel pipe Ø8 mm (1m)	pg. 45
8	1	026200116	Nozzle	pg. 48
9	1	B07835029	Tube fitting - Tee Ø8	pg. 45
10	1	B07835045	Adaptor 8 mm - G ½"	pg. 45
11	3	024100013	Fiber joint	pg. 58
12	1	028250050	Pressure switch	pg. 50
13	1	B07850201	Control Box	pg. 49
14	1	028260001	Fume detector relay base	pg. 41
15	1	028220102	Fume detector	pg. 41

## ABC DRY CHEMICAL SYSTEM

- A semi-complete fire suppression system using ABC dry chemical extinguishing agent - excluding the discharge tubes and fittings
- An economic alternative to chemical or CO<sub>2</sub> systems

### IDEAL FOR:

- Vehicle engines
- A, B, C fires

### KEY FEATURES

- Indirect system only
- Available in 3 cylinder sizes for small, medium and large installations
- Each cylinder available with multiple nozzle quantities
- Discharge line is not included
- Cylinders available filled/pressurized

Empty cylinders on request



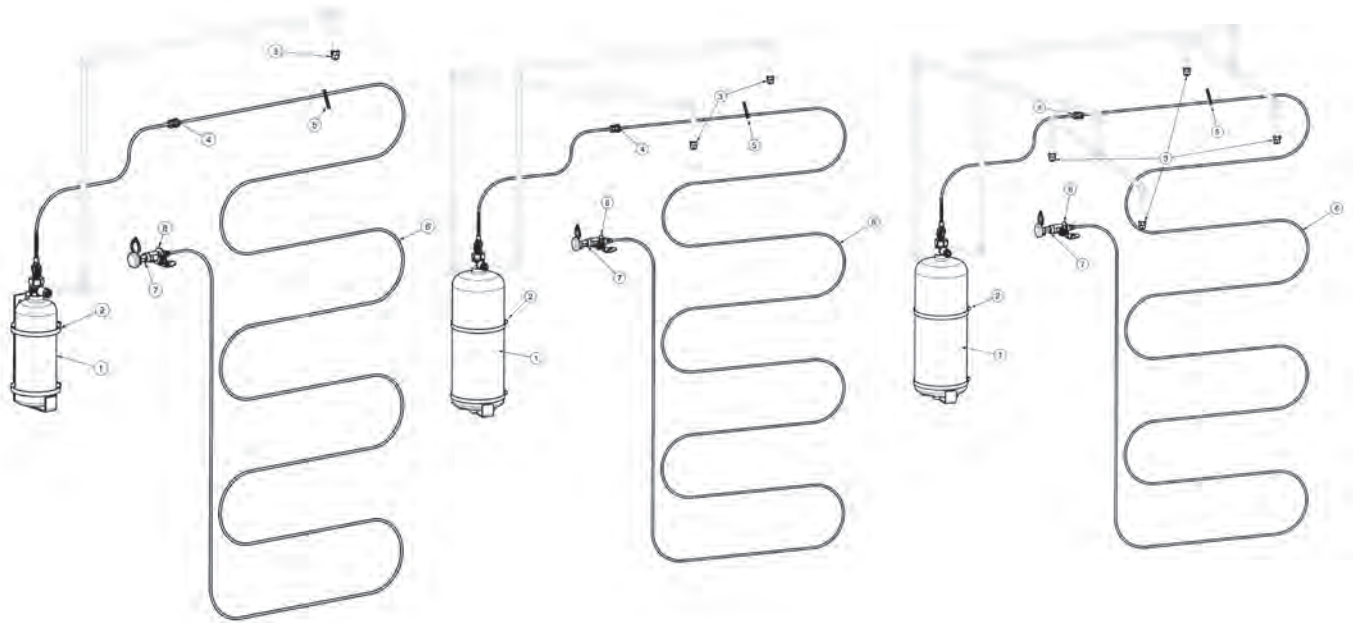


SYSTEM CONTENTS

POWDER SYSTEMS - 1 NOZZLE

POWDER SYSTEMS - 2 NOZZLE

POWDER SYSTEMS - 4 NOZZLE



POS.	QTY.	DESCRIPTION
1	1	ILP cylinder/valve assembly (not filled) + label
2	1	Cylinder bracket
3	1	Nozzle G¼" (13 x Ø1,5mm)
4	1	Cross-panel fitting
5	20	Binding ties
6	1	FireDETEC® sensor tubing black (10m)
7	1	Manual release device
8	1	Wall bracket for manual release

POS.	QTY.	DESCRIPTION
1	1	ILP cylinder/valve assembly (not filled) + label
2	1	Cylinder bracket
3	2	Nozzle G¼" (13 x Ø1,5mm)
4	1	Cross-panel fitting
5	20	Binding ties
6	1	FireDETEC® sensor tubing black (10m)
7	1	Manual release device
8	1	Wall bracket for manual release

POS.	QTY.	DESCRIPTION
1	1	ILP cylinder/valve assembly (not filled) + label
2	1	Cylinder bracket
3	4	Nozzle G¼" (13 x Ø1,5mm)
4	1	Cross-panel fitting
5	20	Binding ties
6	1	FireDETEC® sensor tubing black (10m)
7	1	Manual release device
8	1	Wall bracket for manual release

	POWDER SYSTEMS - 1 NOZZLE
Product code unfilled	On request
Product code filled*	<b>B07508000</b>
Agent capacity	2 Kg.
Number of nozzles	1
Cylinder volume	2,5 L
Cylinder approval	CE
Operating Temperature	-20°C to 60°C
Working pressure	15 bar
Siphon tube	Yes
Sensor tubing color	Black

	POWDER SYSTEMS - 2 NOZZLE		
	On request	On request	On request
	<b>B07508001</b>	<b>B07508003</b>	<b>B07508005</b>
Agent capacity	2 Kg.	6 Kg.	9 Kg.
Number of nozzles	2	2	2
Cylinder volume	2,5 L	7,5 L	11,25 L
Cylinder approval	CE	CE	CE
Operating Temperature	-20°C to 60°C	-20°C to 60°C	-20°C to 60°C
Working pressure	15 bar	15 bar	15 bar
Siphon tube	Yes	Yes	Yes
Sensor tubing color	Black	Black	Black

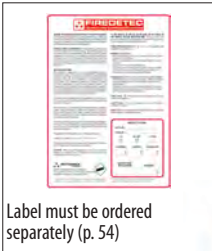
	POWDER SYSTEMS - 4 NOZZLE		
	On request	On request	On request
	<b>B07508002</b>	<b>B07508004</b>	<b>B07508006</b>
Agent capacity	2 Kg.	6 Kg.	9 Kg.
Number of nozzles	4	4	4
Cylinder volume	2,5 L	7,5 L	11,25 L
Cylinder approval	CE	CE	CE
Operating Temperature	-20°C to 60°C	-20°C to 60°C	-20°C to 60°C
Working pressure	15 bar	15 bar	15 bar
Siphon tube	Yes	Yes	Yes
Sensor tubing color	Black	Black	Black

\*filled and pressurized

# CYLINDER / VALVE ASSEMBLIES | CO<sub>2</sub> PNEUMATIC ACTUATION

Cylinder/Valve assemblies that you configure yourself by choosing individual components/accessories

Select the sensor tube system, discharge line, nozzles and accessories that fit your exact installation



Label must be ordered separately (p. 54)

**ALL KITS INCLUDE:**

- Cylinder
- Valve
- Ball valve
- Siphon Tube

**KEY FEATURES**

- Maximum flexibility by configuring the system yourself
- Available with wide choice of cylinder sizes, cylinder approval, and extinguishing agent.



	CO <sub>2</sub> SYSTEM - INDIRECT					
Product code unfilled	B07024000	B07024001	B07024002	B07024008	B07024012	B07024013
Product code filled	B07024500	B07024501	B07024502	B07024508	B07024512	B07024513
Agent capacity	2 Kg.	5 Kg.	10 Kg. Short Ø204mm	10 Kg. Tall Ø140mm	20 Kg.	30 Kg.
Cylinder volume	2.7 liters	6.7 liters	13.4 liters	13.4 liters	26.7 liters	40.0 liters
Cylinder approval	π	π	π	π	π	π
Cyl. / valve weight (empty)	6,8 Kg.	10 Kg.	21 Kg.	18,5 Kg.	32 Kg.	41,5 Kg.
Height	626 mm	737 mm	737 mm	1207 mm	1183 mm	1681 mm
Diameter	Ø 108 mm	Ø 140 mm	Ø 204 mm	Ø 140 mm	Ø 204 mm	Ø 204 mm
Siphon tube	Yes	Yes	Yes	Yes	Yes	Yes
Operating temperature	-20°C to 60°C	-20°C to 60°C	-20°C to 60°C	-20°C to 60°C	-20°C to 60°C	-20°C to 60°C

	CO <sub>2</sub> SYSTEM - DIRECT	
Product code unfilled	B07034000	B07034001
Product code filled	B07034500	B07034501
Agent capacity	2 Kg.	5 Kg.
Cylinder volume	2.7 liters	6.7 liters
Cylinder approval	π	π
Cyl. / valve weight (empty)	6,8 Kg.	10 Kg.
Height	626 mm	737 mm
Diameter	Ø 108 mm	Ø 140 mm
Siphon tube	Yes	Yes
Operating temperature	-20°C to 60°C	-20°C to 60°C

	CO <sub>2</sub> SYSTEM WITH DIMES - INDIRECT					
Product code unfilled	B07025000	B07025001	B07025006	B07025002	B07025003	B07025004
Product code filled	B07025500	B07025501	B07025506	B07025502	B07025503	B07025504
Agent capacity	2 Kg.	5 Kg.	10 Kg. Short Ø204mm	10 Kg. Tall Ø140mm	20 Kg.	30 Kg.
Cylinder volume	2.7 liters	6.7 liters	13.4 liters	13.4 liters	26.7 liters	40.0 liters
Cylinder approval	π	π	π	π	π	π
Cyl. / valve weight (empty)	6,8 Kg.	10 Kg.	21 Kg.	18,5 Kg.	32 Kg.	41,5 Kg.
Height	626 mm	737 mm	737 mm	1207 mm	1183 mm	1681 mm
Diameter	Ø 108 mm	Ø 140 mm	Ø 204 mm	Ø 140 mm	Ø 204 mm	Ø 204 mm
Siphon tube	Yes	Yes	Yes	Yes	Yes	Yes
Operating temperature	-20°C to 60°C	-20°C to 60°C	-20°C to 60°C	-20°C to 60°C	-20°C to 60°C	-20°C to 60°C



# CYLINDER / VALVE ASSEMBLIES | CO<sub>2</sub> SOLENOID ACTUATION

Cylinder/Valve assemblies that you configure yourself by choosing individual components/accessories.

For fire suppression systems using electronic detection devices, such as smoke detectors, thermal bulbs, etc.

Not for use with pneumatic detection tubing

**ALL KITS INCLUDE:**

- Cylinder
- Valve
- Ball valve
- Siphon Tube
- Labels are not included

**KEY FEATURES**

- Available with wide choice of cylinder sizes, cylinder approval, and filled or unfilled with CO<sub>2</sub>



CO <sub>2</sub> SYSTEM - SOLENOID ACTUATION						
Product code unfilled	B04394001	B04394000	B04394002	B04394003	B04394007	B04394008
Product code filled	B04394501	B04394500	B04394502	On request	On request	On request
Agent capacity	2 Kg.	5 Kg.	10 Kg. Short Ø204mm	10 Kg. Tall Ø140mm	20 Kg.	30 Kg.
Cylinder volume	2.7 liters	6.7 liters	13.4 liters	13.4 liters	26,7 liters	40.0 liters
Cylinder approval	CE	CE	CE	CE	CE	CE
Cyl. / valve weight (empty)	6,8 Kg.	10 Kg.	21 Kg.	18,5 Kg.	32 Kg.	41,5 Kg.
Height	626 mm	737 mm	737 mm	1207 mm	1183 mm	1681 mm
Diameter	Ø 108 mm	Ø 140 mm	Ø 204 mm	Ø 140 mm	Ø 204 mm	Ø 204 mm
Siphon tube	Yes	Yes	Yes	Yes	Yes	Yes
Operating temperature	-20°C to 60°C	-20°C to 60°C	-20°C to 60°C	-20°C to 60°C	-20°C to 60°C	-20°C to 60°C
Voltage	24V	24V	24V	24V	24V	24V

CO <sub>2</sub> SYSTEM WITH DIMES - SOLENOID ACTUATION				
Product code unfilled	B04395005	B04395004	B04395000	B04395001
Product code filled	On request	B04395504	B04395500	B04395501
Agent capacity	2 Kg.	5 Kg.	10 Kg. Short Ø204mm	30 Kg.
Cylinder volume	2.7 liters	6.7 liters	13.4 liters	40.0 liters
Cylinder approval	CE	CE	CE	CE
Cyl. / valve weight (empty)	6,8 Kg.	10 Kg.	21 Kg.	41,5 Kg.
Height	626 mm	737 mm	737 mm	1681 mm
Diameter	Ø 108 mm	Ø 140 mm	Ø 204 mm	Ø 204 mm
Siphon tube	Yes	Yes	Yes	Yes
Operating temperature	-20°C to 60°C	-20°C to 60°C	-20°C to 60°C	-20°C to 60°C
Voltage	24V	24V	24V	24V



# CYLINDER / VALVE ASSEMBLIES | WITH HFC-227 ea

Cylinder/Valve assemblies that you configure yourself by choosing individual components/accessories

Select the sensor tube system, discharge line, nozzles and accessories that fit your exact installation

### ALL KITS INCLUDE:

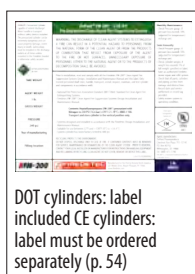
- Cylinder
- Valve
- Ball valve
- Siphon Tube
- Mounting Brackets

### KEY FEATURES

- Filled and charged with FM-200® (DOT) or HFC-227 (CE) agent
- Maximum flexibility by configuring the system yourself
- Available with wide choice of cylinder sizes and cylinder approvals



\*Applies to indirect systems using DOT cylinders only. See UL & FM design, installation and maintenance manual for approved systems specifications.



DOT cylinders: label included  
CE cylinders: label must be ordered separately (p. 54)

### INDIRECT



1.36 Kg. / 3 lbs

3.18 Kg. / 7 lbs

6.35 Kg. / 14 lbs

### DIRECT



1.36 Kg. / 3 lbs

3.18 Kg. / 7 lbs

## CE

HFC-227 ea SYSTEMS - INDIRECT CE-approved cylinders (European standards)			
Product code unfilled	B07014014	B07014013	B07014012
Product code filled	B07014514	B07014513	B07014512
Agent capacity	1,36 Kg. / 3 lbs.	3,18 Kg. / 7 lbs.	6,35 Kg./14 lbs.
Cylinder volume	75 in <sup>3</sup>	174 in <sup>3</sup>	350 in <sup>3</sup>
Cylinder approval	CE	CE	CE
Height	377 mm	437 mm	495 mm
Diameter	Ø90 mm	Ø125 mm	Ø160 mm
Siphon tube	Yes	Yes	Yes
Operating temperature	-20°C to 60°C	-20°C to 60°C	-20°C to 60°C

HFC-227 ea SYSTEM - DIRECT CE-approved cylinders (European standards)	
B07004004	B07004005
B07004504	B07004505
1,36 Kg. / 3 lbs.	3,18 Kg. / 7 lbs.
75 in <sup>3</sup>	174 in <sup>3</sup>
CE	CE
352 mm	403 mm
Ø90 mm	Ø125 mm
Yes	Yes
-20°C to 60°C	-20°C to 60°C

## DOT

FM-200® SYSTEMS - INDIRECT DOT-approved cylinders (North American standards)			
Product code unfilled	B07014000	B07014001	B07014002
Product code filled	B07014500	B07014501	B07014502
Agent capacity	3 lbs.	7 lbs.	14 lbs.
Cylinder volume	75 in <sup>3</sup>	174 in <sup>3</sup>	350 in <sup>3</sup>
Cylinder approval	DOT	DOT	DOT
Height	16"	15.27"	19.6"
Diameter	Ø2.929"	Ø4.992"	Ø6.135"
Siphon tube	Yes	Yes	Yes
Operating temperature	0°C to 54°C	0°C to 54°C	0°C to 54°C

FM-200® SYSTEM - DIRECT DOT-approved cylinders (North American standards)	
B07004000	B07004001
B07004500	B07004501
3 lbs.	7 lbs.
75 in <sup>3</sup>	174 in <sup>3</sup>
DOT	DOT
16"	15.27"
Ø2.929"	Ø4.992"
Yes	Yes
0°C to 54°C	0°C to 54°C

# CYLINDER/VALVE ASSEMBLIES | WITH 3M™ NOVEC™ 1230 FLUID

Cylinder/Valve assemblies that you configure yourself by choosing individual components/accessories.

Select the sensor tube system, discharge line, nozzles and accessories that fit your exact installation



\*Applies to indirect only

**ALL KITS INCLUDE:**

- Cylinder
- Valve
- Ball valve
- Siphon Tube
- Label
- Mounting Brackets

**KEY FEATURES**

- Cylinders are filled and charged with 3M™ NOVEC™ 1230 Fire Protection Fluid
- Maximum flexibility by configuring the system yourself
- Available with wide choice of cylinder sizes
- DOT - Approved cylinders only

FireDETEC® systems with 3M™ NOVEC™ 1230 Fire Protection Fluid is a private label product of Fire Fluid Technologies, Inc.

**INDIRECT**

**DIRECT**



1.36 Kg. / 3 lbs



3.18 Kg. / 7 lbs



6.35 Kg. / 14 lbs



1.36 Kg. / 3 lbs



3.18 Kg. / 7 lbs

## DOT

NOVEC 1230 FLUID DOT-approved cylinders (North American standards)			
Product code unfilled	B07014018	B07014019	B07014020
Product code filled	B07014524	B07014525	B07014526
Agent capacity	3 lbs.	7 lbs.	14 lbs.
Cylinder volume	75 in <sup>3</sup>	174 in <sup>3</sup>	350 in <sup>3</sup>
Cylinder approval	DOT	DOT	DOT
Height	16"	15.27"	19.6"
Diameter	Ø2.929"	Ø4.992"	Ø6.135"
Siphon tube	Yes	Yes	Yes
Operating temperature	0°C to 54°C	0°C to 54°C	0°C to 54°C

NOVEC 1230 FLUID DOT-approved cylinders (North American standards)	
B07004011	B07004012
B07004516	B07004517
3 lbs.	7 lbs.
75 in <sup>3</sup>	174 in <sup>3</sup>
DOT	DOT
16"	15.27"
Ø2.929"	Ø4.992"
Yes	Yes
0°C to 54°C	0°C to 54°C

# CYLINDER/VALVE ASSEMBLIES - SOLENOID | FOR NOVEC™ 1230 FLUID

For indirect fire suppression systems using electronic detection devices such as smoke detectors or thermal bulbs.

For use with NOVEC™ 1230 Fire Protection Fluid

**ALL KITS INCLUDE:**

- Cylinder
- Solenoid valve
- Pressure relief
- Pressure gauge
- Siphon Tube



**KEY FEATURES**

- Solenoid actuation
- Available in 3Lb and 7Lb sizes
- CE cylinders only

## CE

NOVEC 1230 SYSTEMS - SOLENOID ACTUATION		
Product code unfilled	B07014027	B07014028
Agent capacity	1.36 Kg / 3 lbs	3.18 Kg / 7 lbs
Cylinder volume	75 in <sup>3</sup>	174 in <sup>3</sup>
Cylinder approval	CE	CE
Height	377 mm	437 mm
Diameter	Ø 90 mm	Ø 125 mm
Siphon tube	Yes	Yes
Operating temperature	-20°C to 60°C	-20°C to 60°C

## CYLINDER / VALVE ASSEMBLY | KITCHEN SYSTEM

- For commercial kitchen installations
- Cylinder & valve assemblies that you configure yourself by choosing individual components / accessories.
- Choose the sensor tube system, discharge system and accessories that fit your exact installation.

### CYLINDER / VALVE ASSEMBLY:

- Cylinder (unfilled)
- Valve
- Siphon tube
- Extinguishing agent (unpressurized)

### 1 CYLINDER SIZE

- 9 liters
- Cylinders are delivered unfilled
- Cylinders can easily be filled and pressurized prior to installation
- FireDETEC® F/K extinguishing agent must be ordered separately (p.53)



Label must be ordered separately (p. 54)



	Without safety device	With safety device
<b>Product code unfilled</b>	<b>B07013000</b>	<b>B07013001</b>
<b>Agent capacity</b>	9 liters	9 liters
<b>Cylinder volume</b>	12,5 liters	12,5 liters
<b>Cylinder approval</b>	CE (PED)	CE (PED)
<b>Cyl. weight (empty)</b>	4,5 Kg.	4,5 Kg.
<b>Cylinder material</b>	Stainless Steel	Stainless Steel
<b>Siphon tube</b>	Yes	Yes
<b>Sensor tube connection</b>	Standard	Quick fitting
<b>Valve safety device</b>	No	Yes

## CYLINDER / VALVE ASSEMBLY | VEHICLE ENGINES

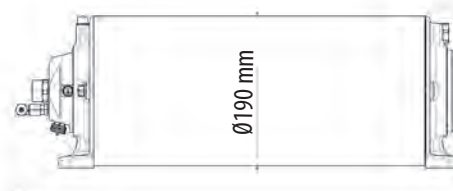
- For vehicle engine installations
- Cylinder & valve assemblies that you configure yourself by choosing individual components / accessories.
- Choose the sensor tube system, discharge system and accessories that fit your exact installation.

### CYLINDER / VALVE ASSEMBLY:

- Cylinder with mounting brackets (unfilled)
- Valve
- Label

### 3 CYLINDER SIZES

- 4, 7 and 12 liters
- Cylinders available either empty or filled/pressurized
- FireDETEC TS-55 must be ordered separately (p.53)



	Liquid extinguishing agent		
<b>Product code unfilled</b>	<b>B09024000</b>	<b>B09025000</b>	<b>B09023000</b>
<b>Product code filled</b>	<b>B09024500</b>	<b>B09025500</b>	<b>B09023500</b>
<b>Cylinder volume</b>	4 liters	7 liters	12 liters
<b>Cylinder approval</b>	π	π	π
<b>Cyl. weight (empty)</b>	8,4 Kg.	12,5 Kg.	25 Kg.
<b>Siphon tube</b>	No	No	No
<b>Operating temperature range</b>	-35°C to 80°C	-35°C to 80°C	-35°C to 80°C

\*filled and pressurized

## CYLINDER-VALVE ASSEMBLIES | ABC DRY CHEMICAL

- For Indirect Powder systems
- Cylinder/Valve assembly for ABC dry chemical systems that you configure yourself using individual components / accessories.

### CYLINDER/VALVE ASSEMBLY:

- Cylinder
- ILP Valve
- Siphon tube
- Ball valve
- Mounting Bracket
- Labels must be ordered separately (p.55)



### KEY FEATURES

- Maximum flexibility by configuring the system yourself
- Available with choice of 3 cylinder sizes: 2 Kg. / 6 Kg. / 9 Kg.

Product code unfilled	B07018000	B07018001	B07018002
Product code filled	B07018500	B07018501	B07018502
Cylinder kit size	2 Kg.	6 Kg.	9 Kg.
Cylinder volume	2,6 L	7,0 L	10,4 L
Cylinder approval	CE	CE	CE
Operating Temperature	-20°C to 60°C	-20°C to 60°C	-20°C to 60°C
Working pressure	15 bar	15 bar	15 bar
Siphon tube	Yes	Yes	Yes

## FIREDETEC® SENSOR TUBING - 6 mm

6mm FireDETEC® sensor tubing in 10m or 100m lengths

### KEY FEATURES

- Choice of all-purpose or special application versions
- Available in 10 meter and 100 meter lengths
- See pages 10-11 for additional detail

#### ALL-PURPOSE SENSOR TUBING

#### SPECIAL APPLICATION SENSOR TUBING

#### SENSOR TUBING FOR KITCHEN SYSTEMS



	10 meters	100 meters	10 meters	100 meters	10 meters	100 meters
Product code	B07800015	B07800002	B07800202	B07800200	B07800303	B07800301
Application	For all applications		Multi-layer construction is more resistant to temperature extremes, chemical agents and UV		Specifically designed to withstand heat and grease conditions above kitchen cooking areas	
Ideal for	Electrical Cabinets Relay boxes CNC Machines Construction Machinery Agricultural Machines		Laboratory fume hoods Chemical storage areas Petroleum storage tanks Hydraulic equipment Vehicle engines		Professional Kitchens Zones at risk for grease fire	
Outside Diameter	Ø: 0.234" / 6 mm		Ø: 0.234" / 6 mm		Ø: 0.234" / 6 mm	
Inside Diameter	Ø: 0.156" / 4 mm		Ø: 0.156" / 4 mm		Ø: 0.156" / 4 mm	
Color	Red RAL 3000		Black RAL 9005		Grey RAL 1018	
Min. bend radius	4" / 100 mm		5.9" / 150 mm		5.9" / 150 mm	
Burst temperature	110°C		110°C		175°C	
Operating temperature range	-30°C to 80°C		-30°C to 80°C		-30°C to 90°C	

## FIREDETEC® SENSOR TUBING - 8 mm

8mm FireDETEC® sensor tubing for Direct systems using clean agent extinguishing agent

### 8 mm TUBING



### 8 mm ADAPTER



	100 meters	Converts a 6 mm device to 8mm
Product code	B07800022	B07831011
Outside Diameter	8 mm	for 8 mm tubing
Color	Red RAL 3000	Nickel plated brass
Burst temperature	110°C	-
Temperature range	-30°C to 80°C	-30°C to 80°C

# PRESSURE SWITCH MANIFOLD

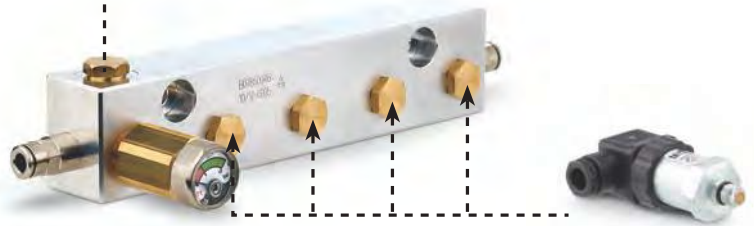
- Used to add supplemental functionalities (pressure switch, solenoid actuator)



Can be mounted anywhere along the Firedetec sensor tube line.



G1/4" solenoid actuator p.44



Pressure switch p.50

### KEY FEATURES

- Ideal to send several signals on advanced installations
- Aluminium monobody design
- Integrated pressure gauge

<b>Product code</b>	<b>B07850046</b>
<b>Number of entry</b>	5 (4xM10+1xG1/4")
<b>Pressure gauge</b>	Included (0-20 bar)
<b>Working pressure</b>	20 bar
<b>Length</b>	232 mm
<b>Height</b>	40 mm
<b>Width</b>	30 mm

# PROTECTION SPRING

To protect the sensor tubing from damage for Ø 6 mm tubing



### KEY FEATURES

- Coils around the entire length of the sensor tube to provide a protective casing
- Choice of standard or quick connect fittings

<b>Length</b>	33' / 10 meters
<b>Material</b>	Stainless Steel

For standard end connections

For quick connect connections



<b>Product code</b>	<b>B07850030</b>	<b>022200040</b>
---------------------	------------------	------------------



## PROTECTION SPRING TOP

To protect the sensor tubing connection when using standard fittings for  $\varnothing$  6 mm tubing



Product code 024920013

### KEY FEATURES

- Helps maintain a safe and tight sensor tubing connection
- With standard connection

## SENSOR TUBE ATTACHMENTS

Secures sensor tubing securely in place

### SELF-ADHESIVE CLIP

for  $\varnothing$  6 mm



### SELF-ADHESIVE BINDING TIE



### BINDING TIE



### SCREWED CLIP



6 mm 8 mm

Product code	B07860000	B07860005	B07860004	B07860002	B07860011
Material	Polyamide	Polyamide	Polyamide	Aluminium and chloroprene	
Attachment	Self-adhesive base	Self-adhesive base		screws (not included)	

## SMOKE DETECTOR

To detect a fire in its earliest stages by detecting the smoke it emits before flames appear

Can be used as a detector for the B0439 Smoke Detector System, or as an incremental detection device for systems with FireDETEC® sensor-tube detection

### SENSOR UNIT



### KEY FEATURES

- CE-approved
- Audio and LED visual signal

### RELAY BASE



Product code	028220102	028260001
Height	32,5 mm	33 mm
Diameter	102 mm	102,5 mm
Material	ABS	ABS
Power Supply	8-30VDC	10-15 VDC
Maximum alarm current	80mA	
IP rating	IP 40	IP 40
Operating temperature	-30°C to 70°C	-30°C to 70°C

All installation wiring must conform to applicable local and national codes

## QUICK CONNECTION FITTINGS FOR SENSOR TUBING Ø 6 mm

Fittings to connect  
FireDETEC® sensor tubing

### KEY FEATURES

- Plug-in connections for quick, secure and leak-free installations
- Nickel plated brass

#### STRAIGHT COUPLING



#### ELBOW



#### TEE



#### STRAIGHT END



#### END ELBOW



#### END TEE



Product code	B07831010	B07831006	B07831007	B07831005	B07831008	B07831003
Connections	0.234" / Ø 6 mm	0.234" / Ø 6 mm	0.234" / Ø 6 mm	0.234" / Ø 6 mm G $\frac{1}{8}$ " male	0.234" / Ø 6 mm G $\frac{1}{8}$ " male	0.234" / Ø 6 mm G $\frac{1}{8}$ " male
Material	Nickel - Plated brass	Nickel - Plated brass	Nickel - Plated brass	Nickel - Plated brass	Nickel - Plated brass	Nickel - Plated brass

## STANDARD CONNECTION FITTINGS FOR SENSOR TUBING Ø 6 mm

Fittings to connect  
FireDETEC® sensor tubing

### KEY FEATURES

- Forms secure, leak-tight connections of sensor tubing
- Available in multiple configurations
- Material: nickel plated brass

#### END FITTING



Gasket 024100034  
Must be ordered separately p.58

#### STRAIGHT FITTING



#### STRAIGHT PANEL FITTING



#### TEE FITTING



#### CROSS FITTING



Product code	B07830010	B07830002	B07830004	B07830000	B07830001
Connections	0.234" / Ø 6 mm G $\frac{1}{8}$ " male	0.234" / Ø 6 mm	0.234" / Ø 6 mm	0.234" / Ø 6 mm	0.234" / Ø 6 mm
Material	Nickel - Plated brass	Nickel - Plated brass	Nickel - Plated brass	Nickel - Plated brass	Nickel - Plated brass

G THREADS ARE PARALLEL THREADS ACCORDING TO ISO 228/1

## HIGH VIBRATION FITTINGS FOR SENSOR TUBING Ø 6 mm

Fittings to connect FireDETEC® sensor tubing in high-vibration environments.

### KEY FEATURES

- Double ferrule fittings for exceptional grip in high vibration environments
- Must be used with tube support B07830023 (not included)



Tube support B07830023 must be ordered separately

	END FITTING	STRAIGHT FITTINGS	ELBOW FITTING	TURNING ELBOW FITTING	TEE FITTING	TUBE SUPPORT	REPLACEMENT NUT + FERRULES
							
	Gasket 024100034 Must be ordered separately p.58			Gasket 024100034 Must be ordered separately p.58			For all non-turning fittings <b>B07830032</b> For all turning fittings B07830025
<b>Product code</b>	B07830024	B07830029	B07830021	B07830025	B07830022	B07830023	B07830033
<b>Connections</b>	0.234" / Ø 6 mm G $\frac{1}{8}$ " male	0.234" / Ø 6 mm	0.234" / Ø 6 mm	0.234" / Ø 6 mm G $\frac{1}{8}$ " male	0.234" / Ø 6 mm	0.234" / Ø 6 mm	0.234" / Ø 6 mm
<b>Material</b>	Galvanized Steel	Galvanized Steel	Galvanized Steel	Galvanized Steel	Galvanized Steel	Brass	Galvanized Steel / Polyamide

## CROSS PANEL FITTINGS Ø 6 mm

Fittings to attach and/or protect sensor tubing through a panel

### KEY FEATURES

- Polymer construction to protect from sharp metal edges

#### THROUGH - PANEL FASTENER



Exerts radial compression when tightened to securely hold tubing in place

#### THROUGH PANEL PROTECTOR



Protects the sensor tubing from sharp edges

	B07830005	B07860001
<b>Product code</b>	B07830005	B07860001
<b>Material</b>	Nylon	Rubber
<b>Orifice Diameter</b>	Ø 0.234" / 6mm	Ø 0.25" / 6.3mm
<b>Max. panel thickness</b>	0.95" / 2.4mm	0.07" / 1.8mm
<b>Length</b>	1.18" / 30mm	0.20" / 5mm

## WALL MOUNTING BRACKET

G THREADS ARE PARALLEL THREADS ACCORDING TO ISO 228/1

To easily attach actuators to a wall or panel. For use with all models of: end-of-line gauges, manual and solenoid actuators.



<b>Product code</b>	024900414
<b>Material</b>	Stainless steel

# END OF LINE DEVICES & ACTUATORS FOR SENSOR TUBING

To seal and charge the far end of the sensor tube

### KEY FEATURES

- Nickel plated brass body
- Available in standard, quick connect or high vibration fittings
- Through-panel mounting

### CHOOSE FROM 3 AVAILABLE END CONNECTIONS



### END OF LINE PLUG



- Basic plug to seal the end of line

### END OF LINE GAUGE



- Includes: check valve, pressure gauge & fittings to connect to sensor tubing

### MANUAL ACTUATOR



- Includes: pressure gauge, connection for filling adaptor and fittings to connect to sensor tubing
- Large, easily visible knob
- Yellow safety collar

### PISTON BLOCK



- Includes: pressure gauge, sensor tube fittings pressure switch port and filling adaptor port integrated in an aluminium monobloc body. Durable and corrosion-resistant piston.
- Easy installation
- No need to change diaphragm

### SOLENOID ACTUATOR



- Includes: pressure gauge, connection for filling adaptor, fittings to connect to sensor tubing.
- For supplemental actuation via electronic sensor or control room

Product codes					12V	24V
Quick connect fittings	029510056	B07810026	B04420128	B04420150		B04420127
Standard connections	029510010	B07810014	B04420115	B04420144	B04420095	B04420085
High vibration		B07810025	B04420143	B04420145		B04420142

Tube connection	6mm	6mm	6mm	6 mm	6mm	6mm
Length	1.13" / 29 mm	2.77" / 71 mm	4.95" / 106 mm	4.95" / 106 mm	3.9" / 100 mm	3.9" / 100 mm
Power					9W / 12V	9W / 24V
Gauge scale	-	0 - 20 bar	0 - 20 bar	0 - 28 bar	0 - 20 bar	0 - 20 bar
Charging port	NO	YES	YES	YES	YES	YES

## G¼" SOLENOID ACTUATOR

For electronic actuation using a smoke detector or other electronic detection device

### KEY FEATURES

- Mounts directly on IHP cylinder valves (B0702 series) or mounts on pressure switch manifold B07850046 p.40



Product code	B04420088
Connection	G¼"
Power	9W / 24V
Max. working pressure	20 bar
Temperature range	-20 to + 60°C
Length	74mm

## STAINLESS STEEL DISCHARGE TUBING & PIPING

Discharge tubing for  
FireDETEC® indirect systems

### STAINLESS STEEL TUBE



### SCHEDULE 40 STAINLESS STEEL PIPE FOR CLEAN AGENT SYSTEMS



Product code	022700599	022700610	022700611	022700612	022700613
Diameter	Ø 8 mm	Ø ¼" / 13,7mm	Ø ⅜" / 17,1mm	Ø ½" / 21,3mm	Ø ¾" / 26,7mm
Length	1 meter	1 meter	1 meter	1 meter	1 meter
Fittings compatibility	double ring fittings	pipe fittings	pipe fittings	pipe fittings	pipe fittings
Thread	-	NPT	NPT	NPT	NPT

## DOUBLE RING FITTINGS FOR 8mm STEEL DISCHARGE TUBING

Fittings to connect 8 mm  
stainless steel discharge tubes

### KEY FEATURES

- Double ferrule compression technology for exceptional grip even under high pressure

#### STRAIGHT



#### CROSS PANEL



#### ELBOW



Product code	B07835027	B07835037	B07835028
Connection	Ø 8 mm	Ø 8 mm	Ø 8 mm
Material	AISI 316L	AISI 316L	AISI 316L

#### TEE



#### STRAIGHT PIPE & NOZZLE FITTING



#### ELBOW NOZZLE FITTING MALE



Product code	B07835029	B07835026	B07835036
Connection	Ø 8 mm	Ø 8 mm, G ¼" male	Ø 8 mm, G ¼" male
Material	AISI 316L	AISI 316L	AISI 316L

#### TEE NOZZLE FITTING MALE



#### ELBOW NOZZLE FITTING FEMALE



for vehicle systems

#### TEE NOZZLE FITTING FEMALE



for vehicle systems

Product code	B07835041	B07835031	B07835030
Connection	Ø 8 mm, G ¼" male	Ø 8 mm, R ⅛" female	Ø 8 mm, R ⅛" female
Material	AISI 316L	AISI 316L	AISI 316L

#### STRAIGHT NOZZLE FITTING FEMALE



for kitchen systems

#### STRAIGHT FITTING MALE



for kitchen systems

#### STRAIGHT FITTING



for directional cone

#### ADAPTER FOR PRESSURE SWITCH



Product code	B07835038	B07835039	B07835042	B07835045
Connection	Ø 8 mm, G ¼" female	Ø 8 mm, G ¼" male	Ø 8 mm, ½" male NPT	8 mm double ring fitting – G ½"
Material	AISI 316L	AISI 316L	AISI 316L	Stainless Steel

G THREADS ARE PARALLEL THREADS ACCORDING TO ISO 228/1  
R THREADS ARE TAPERED THREADS ACCORDING TO ISO 7-1 AND EN10226-1

# PIPE FITTINGS FOR STEEL DISCHARGE PIPING - NPT

Fittings to connect 1/4", 3/8", 1/2" and 3/4" steel threaded piping for clean agent systems

**STRAIGHT UNION 1/4"**



**STRAIGHT UNION 3/8"**



**STRAIGHT UNION 1/2"**



**STRAIGHT UNION 3/4"**



<b>Product code</b>	<b>B07833001</b>	<b>B07833006</b>	<b>B07833008</b>	<b>B07833012</b>
<b>Connection</b>	1/4" NPTF	3/8" NPTF	1/2" NPTF	3/4" NPTF
<b>Material</b>	Galvanized carbon steel	Galvanized carbon steel	Galvanized carbon steel	Galvanized carbon steel

**RUN UNION 1/4" TO 1/4"**



**RUN UNION 1/2" TO 1/2"**



**RUN ADAPTER 1/2" TO 3/8"**



**RUN ADAPTER 1/2" TO 3/4"**



<b>Product code</b>	<b>B07833002</b>	<b>B07833003</b>	<b>B07833004</b>	<b>B07833010</b>
<b>Connection</b>	1/4" NPTM - 1/4" NPTF	1/2" NPTM - 1/2" NPTF	1/2" NPTM - 3/8" NPTF	1/2" NPTM - 3/4" NPTF
<b>Material</b>	Galvanized carbon steel	Galvanized carbon steel	Galvanized carbon steel	Galvanized carbon steel

**ELBOW UNION 1/4"**



**ELBOW UNION 3/8"**



**ELBOW UNION 1/2"**



**ELBOW UNION 3/4"**



<b>Product code</b>	<b>B07833000</b>	<b>B07833005</b>	<b>B07833007</b>	<b>B07833011</b>
<b>Connection</b>	1/4" NPTF	3/8" NPTF	1/2" NPTF	3/4" NPTF
<b>Material</b>	Galvanized carbon steel	Galvanized carbon steel	Galvanized carbon steel	Galvanized carbon steel

**TEE UNION 1/2"**



**TEE UNION 3/4"**



**STRAIGHT ADAPTER 3/4" TO 1/2"**



<b>Product code</b>	<b>B07833009</b>	<b>B07833013</b>	<b>B07833014</b>
<b>Connection</b>	1/2" NPTF	3/4" NPTF	3/4" NPTF male - 1/2" NPTF female
<b>Material</b>	Galvanized carbon steel	Galvanized carbon steel	Galvanized carbon steel

## DISCHARGE HOSES

To connect discharge tubing to the cylinder valve assembly in FireDETEC® systems.

### CO<sub>2</sub> SYSTEM HOSE



### KITCHEN SYSTEM HOSE



### VEHICLE ENGINE SYSTEM HOSE



Product code	B06920006	022720040	022720039
Length	800 mm	600 mm	1250 mm
Cylinder connection	W21.8 x 1/4"	8X1 Tube adapter	8X1 Tube adapter
Tube connection	Ø 8x1mm Tube fitting	Ø 8x1mm Tube adapter	Ø 8x1mm Tube adapter
Material	Oil resistant & weatherproof synthetic rubber	Stainless steel	Stainless steel
Max. working pressure	300 bar at 20°C	220 bar at 20°C	220 bar at 20°C

## MOUNTING BRACKETS FOR DISCHARGE TUBING & PIPING

To secure discharge tubing in place



Product code	B07860006	B07860007	B07860008	B07860009	B07860010
for tubing	Ø 8 mm	Ø 1/4"	Ø 3/8"	Ø 1/2"	Ø 3/4"
material	PA 6.6	steel	steel	steel	steel

## DIRECTIONAL VALVE KIT

Ready-to-install assembly of directional valve + fittings to create separate protection zones within the same cylinder/valve system

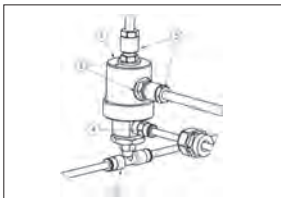
One directional valve is needed for each individual protection zone

### DOUBLE-RING HIGH PRESSURE

For 8 mm stainless steel discharge tubing



Product code	B07060003
Sensor tube connection	6 mm Quick Fit
Discharge tube connection	8 mm double-ring fitting
Max working pressure	250 bar



POS.	QTY.	DESCRIPTION
1	1	Directional Valve Body
2	1	8 mm Double-ring tube fitting
3	1	Gasket
4	1	6mm fitting - quick-fit
5	1	6mm tee - quick-fit

# DISCHARGE NOZZLES

Dispersion nozzles for FireDETEC® systems.

### 3 HOLE NOZZLE

CO<sub>2</sub> and inert gas



### DIRECTIONAL CONE

CO<sub>2</sub> and inert gas



### DIRECTIONAL CONE WITH FLANGE

CO<sub>2</sub> and inert gas



Product code	026200116	B06960031	B06960032
Orifice	3 holes x 2 mm	4 holes x 2 mm	4 holes x 2 mm
Dimensions	Ø16 mm x 25 mm	Ø80 mm x 92 mm	Ø100 mm x 92 mm
Connection	G ¼ female	G ½"	G ½"
Material	Stainless Steel 303	Nickel-plated brass + aluminum	Nickel-plated brass + aluminum

### KITCHEN NOZZLE

Class F Liquid agent



### VEHICLE NOZZLE

Liquid agent



### POWDER NOZZLE

Powder



Product code	026200117	026205098	026200132
Orifice	1 hole x 2.7 mm	1 hole x 2 mm	13 holes x 1,5 mm
Dimensions	Ø13.5 mm x 25 mm	Ø10 mm x 22 mm	Ø19 mm x 24 mm
Connection	R¼" male	R½" male	G¼" female
Material	Stainless Steel	Stainless Steel	Nickel-plated brass

### 3 LB. KIT

### 7 LB. KIT

### 7 LB. KIT

### 14 LB. KIT

### 14 LB. KIT

FM-200®

FM-200®

FM-200®

FM-200®

FM-200®



1 Nozzle configuration

1 Nozzle configuration

2 Nozzle configuration

1 Nozzle configuration

2 Nozzle configuration

Product code	026200102	026200104	026200103	026200107	026200105
Connection	¼" NPT	¾" NPT	¾" NPT	½" NPT	½" NPT
Orifice Diameter	0.085"	0.138"	0.085"	0.200"	0.138"
Number of orifices	8	8	8	8	8
Nozzle Pressure	32.7 psi	48.6 psi	57.7 psi	53.7 psi	56 psi
Discharge time	8.7 seconds	8.8 seconds	8.2 seconds	7.5 seconds	7.6 seconds
Nozzle O.D.	Ø: 0.74" / 19 mm	Ø: 0.875" / 22,5 mm	Ø: 0.875" / 22,5 mm	Ø: 0.975" / 25 mm	Ø: 0.975" / 25 mm
Material	Raw Brass	Raw Brass	Raw Brass	Raw Brass	Raw Brass

### 3 LB. KIT

### 7 LB. KIT

### 7 LB. KIT

### 14 LB. KIT

### 14 LB. KIT

NOVEC™ 1230 FLUID

NOVEC™ 1230 FLUID

NOVEC™ 1230 FLUID

NOVEC™ 1230 FLUID

NOVEC™ 1230 FLUID



Product code	026200110	026200106	026200111	026200108	026200109
Nozzle Diameter	¼" NPT	¾" NPT	¾" NPT	½" NPT	½" NPT
Orifice Diameter	0.060"	0.049"	0.063"	0.109"	0.049"
Orifice Quantity	12	12	16	24	24
Nozzle Pressure	34.5 psi	41.8 psi	43.0 psi	30.1 psi	45.7 psi
Discharge time	6.3 seconds	6.0 seconds	9.1 seconds	6.7 seconds	6.3 seconds
Nozzle O.D.	Ø: 0.74" / 19 mm	Ø: 0.875" / 22,5 mm	Ø: 0.875" / 22,5 mm	Ø: 0.975" / 25 mm	Ø: 0.975" / 25 mm
Material	Raw Brass	Raw Brass	Raw Brass	Raw Brass	Raw Brass



## DIMES CONTROL & ALARM BOX

Control Box with Alarm for DIMES system



Product code | B07850201

### KEY FEATURES

- Power supply: 230 V AC
- Protection IP 40
- Battery backup: 12 V – 1,2 Ah
- 3 Inputs / 1 Output

## DIMES CALIBRATION UNIT

Digital display and calibration device for DIMES digital measurement system



Product code | B07850200

### KEY FEATURES

- Calibrates valve to cylinder and saves data via a built-in microchip
- Digital display can also be used to monitor system

## DIMES CONNECTOR CABLE

To connect the DIMES valve to a DIMES Alarm Box



Product code | 029900088

### KEY FEATURES

- 8 Pin connection
- 2 meter long cable

## PRESSURE SWITCHES

For supplemental functionalities when the system actuates such as sounding an alarm, closing ventilator ducts or cutting power supply.

5 BAR

12 BAR

160 BAR

5 BAR



For discharge detection



For leak detection



For use only with FM Approved ILP Systems

Product code	028255048	028255059	028255047	029900168
Switch type	SPDT	SPDT	SPDT	SPST
Fixture	M10 x 1	M10 x 1	M10 x 1	M10 x 1
Type	NO / NC	NO / NC	NO / NC	Normally open
Electrical rating	V max: 240V I max: 3A	V max: 240V I max: 3A	V max: 240V I max: 3A	120 / 240 VAC - 375 VA 24 VAC - 125 VA
Operation	5 bar ± 0.5 bar	12 bar ± 0.5 bar	160 bar ± 1,3 bar	Open 160 psi y-7 Close 185 psi y-5
Max pressure	60 bar	60 bar	350 bar	345 bar / 5000 psi
Connection	DIN EN 175301-803	DIN EN 175301-803	DIN EN 175301-803	
O-ring material	EPDM	EPDM	EPDM	NBR

## ALARMS

Audio alarm for connection to pressure switches to warn if system actuates, or if system depressurizes due to leak.

ALARM 9 V DC BATTERY

ALARM 12 V DC BATTERY



Product code	B07850043	B07850044
Audible signal	100 db	100 db
Power supply	9V Carbon zinc battery	12V 600Ah rechargeable lithium battery
Dimensions	115x136x53 mm	115x136x53 mm

## DASHBOARD WARNING DEVICE

Accessory for the FireDETEC® Vehicle Engine System to warn the driver in the event of a fire, or a system leak.

Mounts in the driver cabin of any vehicle

### KEY FEATURES

- Delivers visual and audio warning to vehicle driver
- 3 warning lights to indicate system status:
  - Green = System OK
  - Yellow = Error – System needs service
  - Red = System discharge – stop & evacuate
- Robust aluminum casing for long service lifetime



Product code	B07850302
Power supply	12VDC to 24VDC
Temperature range	-40°C to +65°C
Electrical Connectors	Superseal cap housing, 2 positions (power); Superseal plug housing, 4 positions (sensors); Superseal plug housing, 2 positions (alarm)
Wire	Section 0,35mm <sup>2</sup>
Dimensions	124,5 x 50 x 27 mm

## CYLINDER MOUNTING BRACKETS - CO<sub>2</sub>

To mount all FireDETEC® CO<sub>2</sub> Cylinder / Valve 2/5/10 Kg. kits.

### CYLINDER Ø 108 mm

For 2Kg. cylinders



### CYLINDER Ø 140 mm

For 5Kg. cylinders



### CYLINDER Ø 140 mm

For 10Kg. cylinders tall



### CYLINDER Ø 204 mm

For 10Kg. cylinders short



Product code	024900399	024900390	024900422	024900395
Diameter	Ø 108 mm	Ø 140 mm	Ø 140 mm	Ø 204 mm
Height	373 mm	493 mm	930 mm	413 mm
Depth	145 mm	170 mm	170 mm	235 mm
Material	Powder-coated Steel	Powder-coated Steel	Powder-coated Steel	Powder-coated Steel
Weight	1.5 Kg.	2 Kg.	2 Kg.	2 Kg.

## CYLINDER MOUNTING OPTIONS - KITCHEN SYSTEM

To mount the FireDETEC Kitchen cylinder/valve assembly (Ø180 mm).

Protective cabinet helps keep the cylinder/valve assembly clean and protects the valve from impact.

### CYLINDER Ø 180 mm



### PROTECTIVE CABINET



Product code	024900401	029840030
Diameter	180 mm	-
Height	465 mm	750 mm
Depth	213 mm	250 mm
Width	-	350 mm
Material	Powder-coated steel	Stainless Steel
Weight	2 Kg.	4 Kg.

## WALL MOUNTING RAIL - CO<sub>2</sub>

Wall mounting rail for 20Kg. and 30Kg. CO<sub>2</sub> cylinders.

### KEY FEATURES

- Galvanized steel components for solid support and a long service lifetime



1  
**WALL MOUNTING RAIL**

2  
**CLAMP FOR CYLINDER**

3  
**END CAP FOR MOUNTING RAIL AND BRACKET**

Input	Length L	Product code
1 cylinder	400 mm	024900311

Diameter	Product code
203-212 mm	024900424

Product code
024900322

## PRESSURE SWITCH

Detects when the system discharges and sends an electronic signal for a secondary function, such as sounding an alarm, cutting power supply or turning off ventilation air flow



<b>Product code</b>	<b>028250050</b>
<b>Opening Pressure</b>	2 bar
<b>Connection</b>	G 1/2"
<b>Power source</b>	400 VAC / 3 A or 24 VAC / 10 A
<b>Protection</b>	IP65

## CHECK VALVE FOR SENSOR TUBING

Prevents backwards flow of gas when pressuring sensor tubing



Only for use when filling sensor tubing

<b>Product code</b>	<b>B07810011</b>
<b>Connection</b>	G 1/8" female
<b>Material</b>	Nickel-plated brass

## PRESSURE GAUGES

Optional and spare pressure gauges

### PRESSURE GAUGE WITH CONTACT SWITCH



### PRESSURE GAUGE FOR FM-200® AGENT



### PRESSURE GAUGE FOR NOVEC™ 1230 FLUID



### PRESSURE GAUGE FOR KITCHEN SYSTEMS



### PRESSURE GAUGE FOR VEHICLE SYSTEMS



Product code	029720096	028200190	028200191	029720111	029720059
<b>Suppression agent</b>	Chemical gas or Inert gas	FM-200®	NOVEC™ 1230	FireDETEC F/K®	Inert gas
<b>Connection</b>	M10 x 1	1/8" NPT	1/8" NPT	M10 x 1	M10 x 1
<b>Scale</b>	0 - 20 bar	0 - 500 psi	0 - 400 psi	0 - 28 bar	0 - 350 bar
<b>Dimensions</b>	Ø 40 mm	Ø 37,5 mm	Ø 37,5 mm	Ø 23 mm	Ø 39 mm
<b>Preset pressure</b>	5-7 bar normally closed	-	-	-	-

# FIREDETEC® EXTINGUISHING AGENT REFILL

Refill canisters of extinguishing agent for specialty applications

## FIREDETEC® F/K



9 LITERS

25 LITERS

## FIREDETEC® TS-55



7 LITERS

12 LITERS

25 LITERS

<b>Product code</b>	020080157	020080156
<b>Extinguishing agent</b>	FireDETEC® F/K	
<b>Applications</b>	For commercial kitchen systems	

<b>Product code</b>	020080158	020080162	020080152
<b>Extinguishing agent</b>	FireDETEC® TS-55		
<b>Applications</b>	For vehicle engine system		

# SOLENOID ILP VALVE

Optional ILP cylinder valve that can be actuated two ways - either via pneumatic sensor tubing or electronically with a solenoid.



## KEY FEATURES

- 2 - way actuation with integrated solenoid actuator and/or pneumatic sensor tubing detection
- Two outlet ports (G 1/4")
- Integrated pressure gauge
- π 0029 marked
- Not compatible with FireDETEC® F/K agent

<b>Product code</b>	B07010500
<b>Working pressure</b>	24 bar
<b>Cylinder connection</b>	M 30 x 1,5
<b>Outlet connection</b>	G 1/4"
<b>Power</b>	9W / 24 V DC

# TWO ZONE DLP VALVE

Optional DLP cylinder valve that connects two pneumatic sensor tube lines for two separate protection zones.



## KEY FEATURES

- Two independent ball valves for 2-zone protection
- Integrated pressure gauge
- π 0029 marked

<b>Product code</b>	B07040003
<b>Working pressure</b>	24 bar
<b>Cylinder connection</b>	M 30 x 1,5
<b>Outlet connection</b>	G 1/4"

# FIREDETEC® CYLINDER LABELS LANGUAGE PACKS

- Spare labels for FireDETEC® System cylinders in various languages
- Labels are specific to the extinguishing agent being used



Labels are only valid for systems configured entirely with FireDETEC components.

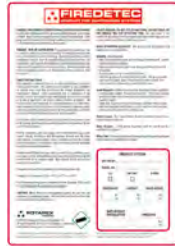
CO<sub>2</sub>

FIREDETEC® F/K  
KITCHEN SYSTEMS

FIREDETEC® TS-55  
VEHICLE SYSTEMS

Indirect

Direct



Product code	ALL SIZES	ALL SIZES	ALL SIZES	ALL SIZES
English	028000082	028000084	028000091	028000200
French	028000114	028000163	028000150	028000200
German	028000115	028000164	028000151	028000200
Italian	028000116	028000165	028000152	028000201
Spanish	028000117	028000166	028000153	028000202
Portuguese	028000118	028000167	028000154	028000202
Russian	028000119	028000168	028000155	028000203
Chinese	028000120	028000169	028000156	028000203
Japanese	028000121	028000170	028000157	028000204
Korean	028000122	028000171	028000158	028000204

## FM-200® - DOT-APPROVED CYLINDER

INDIRECT SYSTEMS (ILP)

DIRECT SYSTEMS (DLP)



Product code	3 LB.	7 LB.	14 LB.	3 LB.	7 LB.
English	028000062	028000063	028000064	028000079	028000080
Spanish	028000126	028000135	028000144	028000205	028000211
Portuguese	028000127	028000136	028000145	028000206	028000212
Russian	028000128	028000137	028000146	028000207	028000213
Chinese	028000129	028000138	028000147	028000208	028000214
Japanese	028000130	028000139	028000148	028000209	028000215
Korean	028000131	028000140	028000149	028000210	028000216

## HFC 227 EA - CE-APPROVED CYLINDER

INDIRECT SYSTEMS (ILP)

DIRECT SYSTEMS (DLP)

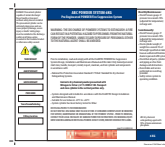


Product code	1,36 KG.	3,18 KG.	6,35 KG.	1,36 KG.	3,18 KG.
English	028000253	028000257	028000261	028000265	028000266
French	028000254	028000258	028000262	028000217	028000226
German	028000255	028000259	028000263	028000218	028000227
Italian	028000256	028000260	028000264	028000219	028000228
Spanish	028000235	028000241	028000247	028000220	028000229
Portuguese	028000236	028000242	028000248	028000221	028000230
Russian	028000237	028000243	028000249	028000222	028000231
Chinese	028000238	028000244	028000250	028000223	028000232
Japanese	028000239	028000245	028000251	028000224	028000233
Korean	028000240	028000246	028000252	028000225	028000234

# ABC DRY CHEMICAL SYSTEM LABELS

Spare part labels for FireDETEC® ABC dry chemical systems  
 - Standardly available in English. Other languages available on demand

## INDIRECT SYSTEMS (ILP)



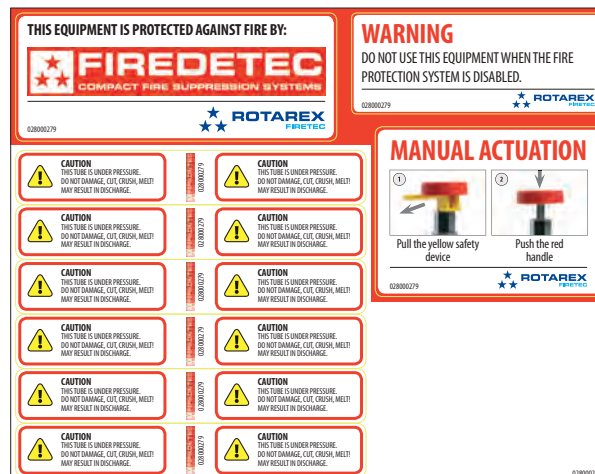
Product codes English	2 KG	6KG	9KG
English	028000325	028000326	028000327

Others languages available on demand (French, German, Italian, Spanish, Portuguese, Russian, Chinese, Japanese, Korean)

# WARNING LABEL SETS

- Auto-adhesive safety stickers

## FOR ALL SYSTEMS



Product code	
English	028000279
French	028000280
German	028000281
Dutch	028000282
Italian	028000283
Spanish	028000284
Portuguese	028000285
Russian	028000286
Chinese	028000287
Japanese	028000288
Korean	028000289
Contains	6 tube warning stickers
	1 actuator instruction
	1 "equipment protected" sticker
	1 disabled warning sticker

## INSTALLATION TOOLS

Specialized tools to facilitate easier installation of FireDETEC® systems

### SENSOR TUBE CUTTER



Razor pinch cutter for clean, square edges

### SENSOR TUBE GRIPPING TOOL



Flexible rubber pad to grip sensor tubing

Product codes

B07850001

024920014

## SENSOR TUBE FILLING ADAPTOR

Allows connection of a charging cartridge to an end-of-line device to pressurize the sensor tube



Product code	B07810005
Extinguishing agents	Water, powder and chemical
Working Temperature	- 20°C to +60°C
Working Pressure	10 to 18 bar
Connection	M10x1

### KEY FEATURES

- Includes: Protective Spring top and connector
- Standard fittings

## SENSOR TUBE 2,7 L FILLING KIT

Used to pressurize FireDETEC® sensor tubing

	UNFILLED	FILLED
Product code	B07502000	B07502500
Pressure	200 bar	200 bar
Outlet pressure	16 bar	16 bar
Weight	6,5 Kg.	8,5 Kg.



### KEY FEATURES

- DHP cylinder / Valve kit with sensor tube + fitting adaptor
- Available filled or unfilled

## SENSOR TUBE FILLING / DEMO KIT

Used to pressurize FireDETEC® sensor tubing or to demo the sensor tubing function



	UNFILLED	FILLED
Product code	B07502002	B07502502
Cylinder Pressure	150 bar	150 bar
Outlet pressure	16 bar	16 bar
Dimensions	Ø 50 x 314 mm	Ø 50 x 314 mm

### KEY FEATURES

- Available filled or unfilled
- Comes in a carrying case
- Kit contains:
  - 0.2 liter cylinder
  - Valve with pressure gauge and ball valve
  - Tube cutter
  - Filling adaptor
  - Sensor tubing
  - End plugs
  - Lighter



## END OF LINE SPARE PARTS

Replacement part for FireDETEC® actuators

### GAUGE + GASKET



### SAFETY COLLAR



### DIAPHRAGM FOR MANUAL ACTUATION



Product codes	029720086	026800016	029205000
---------------	-----------	-----------	-----------

## SINGLE RING FITTINGS FOR 8mm COPPER DISCHARGE TUBING

Fittings to connect 8 mm copper discharge tubes

### KEY FEATURES

- Single ferrule grips into copper tubing for leak-tight joints
- Max pressure 40 bar

### END FITTING MALE 1/4"



### STRAIGHT FITTING



### ELBOW FITTING



### TEE FITTING



Product code	B07835003	B07830003	B07835002	B07835000
--------------	-----------	-----------	-----------	-----------

## CYLINDER MOUNTING BRACKETS - HFC-227 ea

Spare part brackets to mount HFC 227 ea FireDETEC® cylinder kits

### KEY FEATURES

- Black powder-coated steel holder
- Stainless steel adjustable straps



Different codes for DOT or CE systems

### 3 LB. / 1,36 KG.



DOT CE

### 7 LB. / 3,18 KG.



DOT CE

### 14 LB. KIT / 6,35 KG.



DOT CE

Product code	029900169	029900192	029900171	029900193	029900170	029900194
<b>Weight</b>	1.2 lbs / 0,55 Kg.	1.2 lbs / 0,55 Kg.	1.2 lbs / 0,55 Kg.	1.2 lbs / 0,55 Kg.	3.6 lbs / 1,7 Kg.	1.2 lbs / 0,55 Kg.
<b>Height</b>	11.7" / 300 mm	10.2" / 260 mm	11.7" / 300 mm	11.4" / 290 mm	12.48" / 320 mm	13.8" / 350 mm
<b>Depth</b>	3.22" / 85 mm	4.3" / 108 mm	3.22" / 85 mm	5.6" / 143 mm	4.49" / 115 mm	7.0" / 178 mm
<b>Width</b>	1.95" / 50.8 mm	1.2" / 30,5 mm	1.95" / 50.8 mm	1.2" / 30,5 mm	4.49" / 115 mm	1.2" / 30,5 mm

## BALL VALVES FOR SENSOR TUBING

Low pressure Ball Valve for FireDETEC® sensor tubing



Product code	B07840004	B07840003
Inlet	male G1/4"	male G1/8"
Outlet	female G1/8"	female G1/8"

## BALL-VALVE SECURITY LOCK

Safety device for preventing unintentional opening of the valve of the bottle during storage, transportation and installation. Can also be used to lock the valve in the open position when installed and armed.

Tamper evident security seal on the optional

### SECURITY CLIP



### CONTACT REED KIT

Electromagnetic contact sensor  
Connect to control box B07850201



### TAMPER-EVIDENT SEAL



Product code	026800040	029930000	027200007
Material	PP	Plastic and aluminium with electromagnetic sensor and wiring	PE

## GASKETS

Spare part gaskets for air-tight seals

### STEEL JOINT NITRILE BOND



### STEEL JOINT NITRILE BOND



### FIBER JOINT



Product code	024100034	024100037	024100013
Diameter	For G1/8" thread	For G1/4" thread	External: Ø 18 mm Internal: Ø 11,8 mm

# PRESSURE RELIEF DEVICE

Spare Pressure Relief Device for Clean Agent Systems using FireDETEC® valve series B0701 & B0700.

G THREADS ARE PARALLEL THREADS ACCORDING TO ISO 228/1



### KEY FEATURES

- Dedicated version for each agent type

## CE

## DOT

	For all CE cylinders	3lb	7lb - 14lb
<b>Product code</b>	029200091	029200091	029200088
<b>Thread connection</b>	G¼"	G¼"	G¼"
<b>Burst pressure</b>	480 psi/33bar	480 psi/33bar	600 psi/47bar

# PROTECTION CAP

To protect the valve from impact

According to EN ISO 11117



### KEY FEATURES

- For CO<sub>2</sub> systems only
- Max cylinder weight (filled) : 60 Kg. / 132 lbs.

<b>Product code</b>	B06200001
<b>Height</b>	184 mm
<b>Connection</b>	W 80 x ¼"

## SPARE PARTS FOR VEHICLE ENGINE SYSTEMS

- Spare part components  
for the FireDETEC® Vehicle  
Engine System

### FILLING ADAPTER G 5/8"



Product code

029510055

G 5/8"

### FILLING ADAPTER G 1/4"



029510053

G 1/4"

### SAFETY SCREW



023107028

M18 x 1,5

### BURST DISC



Product code

022500006

Ø 14 mm

### OUTLET ADAPTER



026307280

M18 x 1,5 / G1/4"

### O-RING FOR OUTLET ADAPTER



024000357

fits item 026307280

### BLEED VALVE



Product code

029900150

G 1/8"

### VENTING TOOL



029900155

LP side

### PLUG



B07830031

when not in use

### VEHICLE NOZZLE PROTECTION CAP



Product code

028400055

# INSTALLATION GUIDELINES



**EQUIPMENT NEEDED:**

- The FireDETEC® Kit
- Sensor Tubing
- Discharge Tubing
- Mounting Clips
- End of Line Device
- Tube fittings
- Drill
- Screwdriver
- Wrenches
- Tube Cutter
- Tube Bender
- Filling Adaptor
- Dry Nitrogen cylinder with regulator



Installation should only be done by qualified, trained personnel.

## EASY 3 STEP INSTALLATION

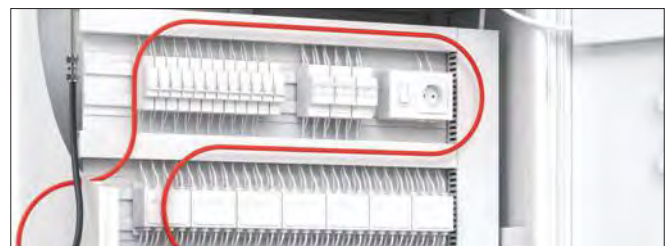
### 1. MOUNTING THE CYLINDER

Fix the bracket to a bulkhead, structural column or deck using four (4) ¼" bolts. Once cylinder is in place, tighten the bands so that the cylinder is secure. Orient the cylinder in the vertical position with the valve facing up and the gauge facing out and away from the wall for ease of inspection. The label and gauge must be clearly visible.



### 2. INSTALLING THE SENSOR TUBING

Because the tube is heat sensitive, it should always be placed above the potential fire source. For small enclosures, the tubing should be installed on the enclosure roof. Be careful not to kink or crush the sensor tube. The minimum bend radius is 4 inches / 100 mm for red tubing and 6 inches / 150 mm for black, yellow and grey tubing. Install clips every 18 inches / 450 mm (10 inches / 250 mm for direct systems) to hold tubing in place.



### 3. PRESSURIZING THE FIREDETEC® SENSOR TUBING

Charge the tube to 16 bar (240 psi) by connecting a dry nitrogen cylinder with a regulator to the filling adaptor, attached to the far end of the sensor tube. Test for leaks.



# A FULL LINE OF GAS CONTROL SOLUTIONS



## COMPLETE SOLUTIONS FROM SOURCE TO PROCESS.

ROTAREX is helping engineers worldwide to get better gas results: from ultra high purity production and medical care facilities to industrial and LPG applications, as well as alternative energy vehicles, fire suppression, diving, aerospace, cryogenics, laboratory, petro-chemical and welding. ROTAREX applies over 90 years of know-how and experience to custom design, develop and manufacture the high performance valves, regulators and fittings to suit your needs, all in one hand. Discover the difference ROTAREX can make in your world.

**CYLINDER VALVES**

**EQUIPMENT**

**FIRETEC**

**AUTOMOTIVE**

**LPG/SRG**

**MEDITEC**



**ULTRA HIGH PURITY VALVES**



**MEDICAL VALVES & EQUIPMENT**



**INDUSTRIAL CYLINDER VALVES**



**REFRIGERANT CYLINDER VALVES**



**PRESSURE REGULATORS**



**SUPPLY & SWITCH OVER BOARDS**



**LINE VALVES**



**FITTINGS & ADAPTORS**



**FIXED INSTALLATION  
FIRE SYSTEMS**



**OBJECT FIRE SUPPRESSION  
SYSTEMS**



**AUTOMOTIVE VALVES  
& REGULATORS**



**WATER CARBONATION**



**LPG TANK VALVES  
& REGULATORS**



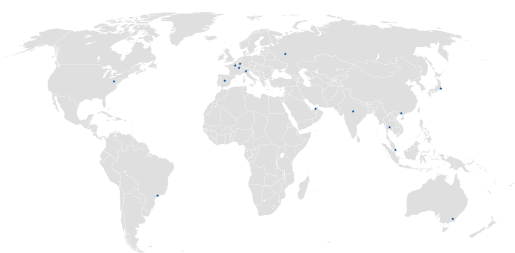
**LPG CYLINDER VALVES  
& REGULATORS**



**DIGITAL MEASUREMENT  
SYSTEMS**



**PLASTIC INJECTION MouldING**



## WORLDWIDE HEADQUARTERS

### ROTAREX S.A.

24, rue de Diekirch,  
L-7440 Lintgen  
Luxembourg  
Tel.: +352 32 78 32-1  
Fax: +352 32 78 32-854  
E-mail: firetec@rotarex.com



## REGIONAL / COUNTRY HEAD QUARTERS

### NORTH AMERICA

#### USA

**Rotarex North America**  
101 Bilby Road  
Building 2  
Hackettstown, NJ 07840 USA  
Tel.: +1 724-696-4340  
E-mail: northamerica@rotarex.com

#### SOUTH AMERICA

#### BRASIL

**Rotarex Brazil Ltda**  
Cond. Ind. Portal da Anhanguera Estr. Municipal  
Gov. Mário Covas, S/N  
13279-411 Bairro Macuco -Valinhos  
São Paulo Brazil  
Tel.: +55 19 3518 0800  
Fax: +55 19 3869-1503  
E-mail: brasil@rotarex.com

### EUROPE

#### EUROPEAN HEADQUARTERS

24, rue de Diekirch,  
L-7440 Lintgen, Luxembourg  
Tel.: +352 32 78 32-1  
E-mail: firetec@rotarex.com

#### ITALY

**Rotarex Italia S.r.l.**  
46 Via Giacomo Matteotti  
I-25080, Ciliverghe di Mazzano (BS) Italy  
Tel.: +39 030 212 05 50  
Fax: +39 030 212 23 62  
E-mail: italia@rotarex.com

#### SPAIN

**Rotarex Spain**  
Edificio Foro de Somosaguas Ctra. Carabanchel a  
Pozuelo, km. 5,6 Urb. Pinar de Somosaguas, 89 bis  
Planta 1, Oficina 20  
28223 - Pozuelo de Alarcón Spain  
Tel.: +34 91 007 47 64  
E-mail: spain@rotarex.com

#### RUSSIA

**Rotarex Rus**  
Tverskaya street, 20/1 bldg. 1 of 506  
125009, Moscow Russia  
Tel.: +7 985 125 7776  
Skype: rotarexrus  
E-mail: russia@rotarex.com

#### POLAND

**Rotarex Polska**  
5 Gröbli  
PL 49-300 Brzeg, Poland  
Tel.: +48 77 416 40 16  
E-Mail: polska@rotarex.com

### ASIA - PACIFIC

#### ASIA-PACIFIC HEADQUARTERS

**Rotarex Fareast Pte Ltd**  
10 Ubi Crescent  
Ubi Techpark, Lobby C, #06-55  
408564 Singapore  
Tel.: +65 64 72 37 27  
Fax: +65 64 72 45 28  
E-mail: fareast@rotarex.com

#### CHINA

**Rotarex Star**  
60 Yuan Zhong Road  
Shanghai Nanhui Industrial Zone  
201300, Shanghai China  
Tel.: +86-21 5800 4000  
Fax: +86-21 5800 3226  
E-mail: china@rotarex.com

#### JAPAN

**Rotarex Japan Ltd**  
6F, Yawaragi Bldg., 1-27-11 Taito  
Taito-ku, Tokyo  
110-0016 JAPAN  
Tel.: +81 3 5817 8108  
Mob.: +81 80 3755 2539  
Fax: +81 3 5817 8168  
E-mail: japan@rotarex.com

#### INDIA

**Rotarex ENGG. PVT. LTD.**  
C-105, Mahindra Apartments  
Vikasuri, New Delhi 110018  
mob.: +91 998 740 1972  
E-mail: india@rotarex.com

#### THAILAND

**Rotarex (Thailand) Co Ltd.**  
200, Moo 4  
Jasmine International Tower, 6 Floor 607E  
Chaengwattana road,  
Pakkret, Pakkret, Nonthaburi 11120 Thailand  
Tel.: +66 2 100 3602  
Fax: +66 2 100 3602  
E-mail: thailand@rotarex.com

### MIDDLE EAST / AFRICA

#### MIDDLE EAST

**Rotarex Middle East**  
Jebel Ali Free Zone - Lob 17, Office 415  
P.O. Box 261952  
Dubai, U.A.E.  
Tel.: +971 (0) 4 887 6701  
Fax: +971 (0) 4 887 6702  
E-mail: middle-east@rotarex.com